



2023

Parts List

Effective July 1, 2023



BURNER COMPONENTS	
Primary Controls & Accessories.....	2
Ignitors & Accessories.....	3
PSC Motors.....	4
TEMPERATURE CONTROLS	
EZ Temp Controls & Accessories.....	5-6
RESIDENTIAL OIL BURNERS	
EZ Oil Burners.....	7-8
Oil Burner Cover Kit, CAP System Kit.....	9
99FRD.....	10
102CRD.....	11
Appliance Specific Residential Oil Burners.....	11
COMMERCIAL OIL BURNERS	
201CRD, 301CRD, 601CRD, 701CRD, 702CRD, 801CRD, 1050FFD, 1150FFD.....	12-19
Control Panels & Options	
Optional Control Sets.....	20
Control Panels.....	21
APPLIANCE SPECIFIC COMMERCIAL OIL BURNERS.....	
	22-25
RESIDENTIAL GAS BURNERS	
EZGas Pro.....	26-27
Appliance Specific Residential Gas Burners.....	27
Gas Service Totes.....	28
COMMERCIAL GAS BURNERS	
201GAS.....	29
301GAS.....	30
601GAS.....	31
702GAS.....	32
801GAS.....	33
COMMERCIAL DUAL FUEL BURNERS	
702G/O.....	34
801G/O.....	35
APPLIANCE SPECIFIC COMMERCIAL GAS AND DUAL FUEL BURNERS.....	
	42-45
REPLACEMENT PARTS	
EZ Oil Burners.....	46-47
EZ66, 99FRD, 102CRD Oil Burners.....	48-49
201-301 Oil Burners.....	50-51
601, 701, 702 Oil Burners.....	52-53
801, 1050, 1150 Oil Burners.....	55
EZGas Pro Burners.....	56-57
G3B Gas Burners.....	58-59
201 Gas Burners.....	60-61
301 Gas Burners.....	62-63
601 Gas Burners.....	64-65
301/601 Gas Train.....	66-67
Original 702G & 702G/O Burners.....	68-69
702G & 702G/O Train.....	70-71
801G & 801G/O Series Burners.....	72-73
801 Series Gas Train.....	74-75

Part No.	Description
PRIMARY CONTROL – For Universal Replacement	
70200S	Fully Adjustable Control with Alarm & Blocked Vent Contacts

✦ Carlin Connect Bluetooth Module and Phone App – COMING 2023!

PRIMARY CONTROLS – For Like-for-Like Replacement	
4020002S	15 Sec. TFI. Interrupted Duty
4223002S	30 Sec. TFI. Interrupted Duty
48245S	45 Sec. TFI. Constant/Intermittent Duty with Smart Ignition
5020002S	15 Sec. TFI. Interrupted Duty. Alarm Contacts
6020002S*	15 Pre/15 TFI/15 Post. Interrupted Duty. Alarm Contacts
6020002S015120	15 Pre/15 TFI/120 Post. Interrupted Duty. Alarm Contacts
6020002S030015	30 Pre/15 TFI/15 Post. Interrupted Duty. Alarm Contacts
6020051S	10 Pre/15 TFI/0 Post. Interrupted Duty. Alarm Contacts
6020002S030030	30 Pre/15 TFI/30 Post. Interrupted Duty. Alarm Contacts
6020002S030120	30 Pre/15 TFI/120 Post. Interrupted Duty. Alarm Contacts
6020002S030300	30 Pre/15 TFI/300 Post. Interrupted Duty. Alarm Contacts
6020002S060010	60 Pre/15 TFI/10 Post. Interrupted Duty. Alarm Contacts
60240S11	10 Pre/15 TFI/10 Post. Interrupted Duty. Alarm Contacts. 208-240V, 50/60Hz

*Exact replacement for Weil McLain primary controls

GAS PRIMARY CONTROLS	
60200FRS	60200FR GAS PRIMARY
60200FRNS	30 Pre/4 TFI/30 Post. Flame Rod Gas Control Non Recycling

PARTS & ACCESSORIES	
14407S0ES	CAD Cell Assembly, Service Kit 22"
4002400AS	CAD Cell, Eye Only
98225S	Kit, Valve-Relay for 60200-02 (701/702CRD, 801CRD, 1050FFD, 1150FFD)
98435S	Kool-Kit, "M" Interface PCB w/Transformer
98435S1	Kool-Kit, "M" Interface PCB w/out Transformer



70200S

Part No.	Description
UNIVERSAL IGNITOR	
45000S	110V Heavy Duty Ignitor – Mounts to any base plate
IGNITORS ONLY – NO BASEPLATE	
41000S	110V Ignitor
4070001S	220V Ignitor
4180002S1	120V Ignitor – Single-Pole Secondary (EZ-Gas)
4180002S2	120V Ignitor – Single-Pole Secondary (201 Gas)
4180002S	120V Ignitor – Single-Pole Secondary (301 Gas)
4180002FS	120V Ignitor - Single-Pole Secondary UL Rajah Service
IGNITORS ON BASEPLATES	
45000SOCAS	45000 Ignitor with Baseplate - Carlin Residential Burners
45000SOBK1	45000 Ignitor with Baseplate - Beckett AF, AFG
41000SOCAS	Ignitor/Base Carlin
41000SOSC	Ignitor/Base Carlin (201 - 301CRD)
41000SOLC	Ignitor/Base Carlin (601CRD, 701CRD, 702CRD,801CRD, 1050FFD, 1150FFD & 601GAS, 702GAS, 702G/O Burners)
41000SOBK1	Ignitor/Base Beckett AF, AFG
41000SOBK2	OBSOLETE – USE 45000S IGNITOR - IT WILL WORK ON EXISTING BASEPLATE
41000SOWA1	Ignitor/Base Wayne HS
41000SOWA2	Ignitor/Base Wayne E
41000SOWA3	Ignitor/Base Wayne M
41000SOWM	OBSOLETE – USE 45000S IGNITOR - IT WILL WORK ON EXISTING BASEPLATE
UNIVERSAL IGNITOR KIT	
41000SOKIT	Universal Ignitor Kit with two 41000S & baseplate kits*
BASEPLATES	
4102000CAS	Base Plate Kit Carlin Residential*
4102000CSC	Base Plate Kit Carlin Small Commercial (201 - 301CRD)
4102000CLC	Base Plate Kit Carlin Large Commercial (601CRD - 1150FFD)
4102000BK1	Base Plate Kit Beckett*
4102000WA2	Base Plate Kit Wayne E*
4102000WA3	Base Plate Kit Wayne M*
ACCESSORIES	
41DTK01S	Universal Terminal Kit*
98061AS	Transition Piece for 41000 Series Ignitor
4102000WA1	Interface Plate and Gasket Kit Wayne HS

*Items included in 41000-SO-KIT.



45000S

To replace a 40100 or 42130 combination primary control/ignitor, mount below on junction box

Burner	Ignitor on Baseplate	Control	CAD Cell Assembly
CARLIN	41000SOCAS	70200S	14407S0ES
BECKETT AF, AFG	41000SOBK1	70200S	14407S0ES

PSC Motors

Part No.	Description
----------	-------------

PSC MOTORS	
98022S	1/7 hp, 120 vac, 60 Hz, 48M Frame (For Residential Oil & Gas Burners)
98611S	1/6 hp, 120 vac, 60 Hz, 48N Frame (For Carlin 201GAS, 301GAS Burners)
98627S	1/6 hp, 220/240 vac, 50/60 Hz, 48M Frame (For Residential Burners)
98630S	1/4 hp, 120 vac, 60 Hz, 48N Frame (For Carlin 201/301 Oil Burners)
98866S	1/6 hp, 120 vac, 60 Hz, 48N Frame, 1725 rpm
99220S	1/4 hp, 220 vac, 50 Hz, 48N Frame (For Carlin 201/301 Oil Burners)

*120 motors per pallet



98022S

Part No.	Description	Replaces	Temp Limit (F)	High Limit (F)	Case Quantity
90000 DUAL LIMIT – UNIVERSAL TEMPERATURE CONTROLS					
90000B1S	Service Pak - Dual limit (operating limit and manual reset high limit) temperature control for direct fired storage water heaters (and other similar applications). Includes temperature control, sensor and mounting hardware only. Replacement for Carlin Model 90000BL1S. UL Recognized.	L4103A	90°-160°, 8° Diff.	180°, 10° Diff.	20

INDIRECT & DIRECT FIRED STORAGE WATER HEATER TEMPERATURE CONTROLS

90200 SINGLE LIMIT TEMPERATURE CONTROLS – SERVICE PAK					
90200A6S	Bradford White - Aero Series Recommended Temperature Range Service Pak - Single limit temperature control for direct fired storage water heater (and similar applications). Includes temperature control, sensor and mounting hardware only. Replacement for Carlin Model 90200AL6S. UL Recognized.	L4006A L4080B	120°-145°, 6° Diff.	N/A	20
90200A7S	Bock Residential Recommended Temperature Range Service Pak - Single limit temperature control for direct fired storage water heater (and similar applications). Includes temperature control sensor, and mounting hardware only. Replacement for Carlin Model 90200AL7S. UL Recognized.	L4006A L4080B	100°-160°, 8° Diff.	N/A	20
90200A8S	Therma-Flo Everhot Recommended Temperature Range Service Pak - Single limit temperature control for direct fired storage water heater (and similar applications). Includes temperature control, sensor and mounting hardware only. Replacement for Carlin Model 90200AL8S. UL Recognized.	L4006A L4080B	90°-130°, 8° Diff.	N/A	20

DIRECT FIRED STORAGE WATER HEATER TEMPERATURE CONTROLS INSTALL PACK

90000 DUAL LIMIT TEMPERATURE CONTROLS WITH MANUAL RESET – INSTALL PAK					
90000BL2S	Bock Residential Recommended Temperature Range Install Pack – Dual limit (operating limit and manual reset high limit) temperature control for direct fired storage water heaters (and other similar applications). Includes temperature control, J-Box, 98861B well (2.4" length), 98917A single sensor and mounting hardware. UL Listed.	L4103A	100°-160°, 8° Diff.	180°, 10° Diff.	20

DIRECT FIRED STORAGE WATER HEATER TEMPERATURE CONTROLS

90000 DUAL LIMIT TEMPERATURE CONTROLS WITH MANUAL RESET – SERVICE PAK					
90000B2S	Bock Residential Recommended Temperature Range Service Pak - Dual limit (operating limit and manual reset high limit) temperature control for direct fired storage water heaters (and other similar applications). Includes temperature control, sensor and mounting hardware only. Replacement for Carlin Model 90000BL2S. UL Recognized.		100°-160°, 8° Diff.	180°, 10° Diff.	20
90000B4S	Bradford White - Aero Series Recommended Temperature Range Service Pak- Dual limit (operating limit and manual reset high limit) temperature control for direct fired storage water heaters (and other similar applications). Includes temperature control, sensor and mounting hardware only. Replacement for Carlin Model 90000BL4S. UL Recognized.		120°-145°, 6° Diff.	165°, 6° Diff.	20
90000B10S	Therma-Flo Everhot Recommended Temperature Range Service Pak - Dual limit (operating limit and manual reset high limit) temperature control for direct fired storage water heaters (and other similar applications). Includes temperature control, sensor and mounting hardware only. Replacement for Carlin Model 90000BL10S. UL Recognized.		90°-130°, 8° Diff.	160°, 10° Diff.	20
90000C5S	John Wood Recommended Temperature Range Service Pak - Dual limit (operating limit and manual reset high limit) temperature control for direct fired storage water heaters (and other similar applications). Includes temperature control, sensor and mounting hardware only. Replacement for Carlin Model 90000CL5S & 90000CL5PS. UL Recognized.		90°-160°, 10° Diff.	200°, 1° Diff.	20
90000C6S	John Wood Recommended Temperature Range Service Pak - Dual limit (operating limit and manual reset high limit) temperature control for direct fired storage water heaters (and other similar applications). Includes temperature control, sensor and mounting hardware only. Replacement for Carlin Model 90000C6. UL Recognized.		90°-180°, 10° Diff.	200°, 1° Diff.	20

Part No.	Description	Replaces HW Models	Temp Limit (F)	High Limit (F)	Case Quantity
----------	-------------	--------------------	----------------	----------------	---------------

COMMERCIAL DIRECT FIRED STORAGE WATER HEATER TEMPERATURE CONTROLS

90300 DUAL LIMIT TEMPERATURE CONTROLS WITH MANUAL RESET - SERVICE PAK					
90300B1S	Bock Commercial Recommended Temperature Range Service Pak - Dual limit (operating limit and manual reset high limit) for direct fired commercial storage water heaters (and similar applications). Includes temperature control, sensor and mounting hardware only. Replacement for Carlin Model 90100BL1S. UL Recognized.	L4080B & L8100C	100°-180°, 8° Diff.	200°, 10° Diff.	20

ACCESSORIES

WELL KITS	
98861AS	2.61" with Insulation Depth = 1.55", Insertion Depth = 1.06", 3/4" NPT
98861BS	3.51" with Insulation Depth = 2.45", Insertion Depth = 1.06", 3/4" NPT
98861CS	5.46" with Insulation Depth = 4.40", Insertion Depth = 1.06", 3/4" NPT
98861FS	6.65" with Insulation Depth = 4.40", Insertion Depth = 2.25", 3/4" NPT for use with John Wood Model JW317-717
98861GS	4.7" with Insulation Depth = 2.45", Insertion Depth = 2.25", 3/4" NPT for use with John Wood Models JWF307, JWF507, JWF357.
SENSORS	
98917AS	Single Sensor for use in well, 12" leads
98917BS	Dual Sensor for use in well, 12" leads
98917JS	Triple Sensor for use in well, 18" leads
98917FS	Single Sensor for use in well, 24" leads
98917HS	Dual Sensor for use in well, 36" leads
98917ES	Single Sensor for use in well, 48" leads
98917DS	Single Sensor for use in well, 120" leads
98917GS	Dual Sensor for use in well, 120" leads
MOUNTING HARDWARE	
51116S	EZ-Temp mounting hardware for Carlin well or existing well - Includes longest rubber retainer, retainer washer, lock washer, jam nut, well clamp, sensor retainer spring, flat washer, and tensioning screw.

Part No.	Description
EZ-PRO OIL BURNERS WITH COVERS	
9687607JC	EZ-1, 7" Air Tube, Universal Flange
9687609JC	EZ-1, 9" Air Tube, Universal Flange
9687611JC	EZ-1, 11" Air Tube, Universal Flange

Note: If swing out door on boiler, you will need to order flex line separately.
 Note: If two-pipe oil line system, you will need to order the two-pipe oil line kit separately.
 Note: If outside air/direct venting is required, you will need to order the 50433KIT.

STANDARD EQUIPMENT – FLEX LINES OR OUTSIDE AIR INLET KIT NOT INCLUDED WITH BURNER

Most OEM burners are available with the cover. Consult the factory for pricing and part numbers.

1. EZ-Pro Chassis (0.50-2.60)
2. Carlin 98022 1/7 HP PSC Motor
3. Carlin 70200 Fully Adjustable Control
4. Carlin 45000 Ignitor
5. Suntec A2VA-3006 Single-Stage Fuel Unit with Integral Solenoid Valve
6. Single Pipe Oil Line
7. 7", 9", or 11" Air Tube and Combustion Head with Stainless Steel Nose Cone

Part No.	Description
"A" PACKAGE = EZ-1 BURNER, 48245 INTERMITTENT DUTY CONTROL	
96876-05A	Above Package with 5" Air Tube
96876-07A	Above Package with 7" Air Tube
96876-09A	Above Package with 9" Air Tube
"B" PACKAGE = EZ-1 BURNER, 40200 INTERRUPTED DUTY CONTROL	
96876-05B	Above Package with 5" Air Tube
96876-07B	Above Package with 7" Air Tube
96876-09B	Above Package with 9" Air Tube
"K" PACKAGE = EZ-1 BURNER, 42230 INTERRUPTED DUTY CONTROL	
96876-0700K	Above Package with 7" Air Tube
"EZ-PRO" PACKAGE = EZ-1 BURNER, 70200 FULLY ADJUSTABLE CONTROL W/ ALARM & BLOCKED VENT CONTACTS	
96876-05JP	Above Package with 5" Air Tube
96876-07JP	Above Package with 7" Air Tube
96876-09JP	Above Package with 9" Air Tube

STANDARD EQUIPMENT – ALL ABOVE

1. EZ-1 Burner
2. Burners with 70200 control have Carlin 45000 Ignitor, all other burners have 41000 Carlin Constant Duty Solid State Ignitor
3. CAD Cell
4. Single-Stage Pump (EZ-Pro Only – Suntec 3006 Single-Stage Fuel Unit with Solenoid Valve)
5. Air Tube
6. Combustion Head
7. Universal Flange and Gasket

Part No.	Description
----------	-------------

EZ OIL BURNER CHASSIS. FOLLOWING PRICES ARE FOR CHASSIS ONLY.

9687600E	EZ-1, Jct. Box, 41000 Ignitor, CAD Cell, 1 Stage Pump
81201	EZ-1, Carlin 48245 Intermittent Duty Control, 41000 Ignitor, CAD Cell, 1 Stage Pump
8120100B	EZ-1, Carlin 40200 Interrupted Duty Control, 41000 Ignitor, CAD Cell, 1 Stage Pump
9687600Jl	EZ-1, Carlin 70200 Fully Adjustable Control, Inst. Oil Valve, 45000 Ignitor, CAD Cell, 1 Stage
84801	EZ-2, Carlin 48245 Intermittent Duty Control, 41000 Ignitor, CAD Cell, 1 Stage Pump
969950000J	EZ-2, Carlin 70200 Fully Adjustable Control, Inst. Oil Valve, 45000 Ignitor, CAD Cell, 1 Stage
969960000E	EZ-3, Jct. Box, 41000 Ignitor, CAD Cell, 1 Stage Pump
969960000J	EZ-3, Carlin 70200 Fully Adjustable Control, Inst. Oil Valve, 45000 Ignitor, CAD Cell, 1 Stage

Firing Rates: **EZ1** – .50 to 1.65 GPH; **EZ2** – 1.50 to 2.25 GPH; **EZ3** – 2.00 to 2.50 GPH

Part No.	Description
----------	-------------

BURNER MOUNTED OPTIONS – ADD ONS

Contact Carlin	Pump 2 Stage, "B" (Suntec)
Contact Carlin	Delayed Oil Valve
Contact Carlin	Carlin SVC Instant Opening Oil Valve

AIR TUBE AND COMBUSTION HEAD ASSEMBLIES – "CARLIN SUPER TUBE"

78071S	EZ-1, 5" Air Tube / Combustion Head Assembly
78089S	EZ-1, 7" Air Tube / Combustion Head Assembly
78105S	EZ-1, 9" Air Tube / Combustion Head Assembly
78113S	EZ-1, 11" Air tube / Combustion Head Assembly
84764S	EZ-2, 3, - 5" Air Tube / Combustion Head Assembly
84772S	EZ-2, 3, - 7" Air Tube / Combustion Head Assembly
84780S	EZ-2, 3, - 9" Air Tube / Combustion Head Assembly
84798S	EZ-2, 3, - 11" Air Tube / Combustion Head Assembly

MOUNTING FLANGE AND/OR PEDESTAL

23317S	Pedestal
72470S	Pedestal (10 pack)
81372S	3-1/2" Heavy-Duty Universal Flange / Gasket
82560S	3-1/2" Heavy-Duty Universal Flange / Gasket (10 pack)

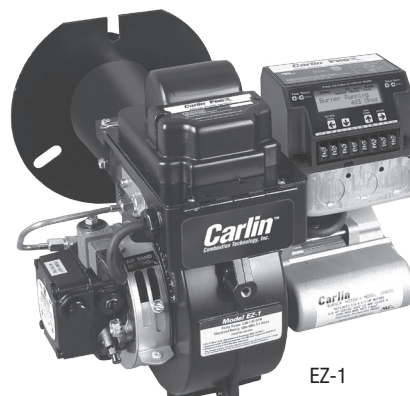
NOZZLES

Contact Carlin	Nozzles - Consult Factory for Availability of Spray Patterns
----------------	--

STANDARD EQUIPMENT

1. Burners with 70200 control have Carlin 45000 Ignitor, all other burners have 41000 Carlin Constant Duty Solid State Ignitor
2. CAD Cell
3. Carlin PSC Motor 1/7 hp, 3450 rpm
4. Single-Stage Fuel Unit

The maximum high-fire capability is reduced slightly when firing (forced-draft) against back-pressure. Visit carlincombustion.com for more information.



EZ-1

Part No.	Description
----------	-------------

OIL BURNER COVER KITS - For Use on Carlin EZ Oil Burners

RESCVR1S	Cover Kit- Oil: Includes cover, backplate, mounting hardware
----------	--

NOTE: Fits EZ-1, EZ-2, EZ-3, EZ-LF, EZ-Pro, EZ-66, 99FRD, 100CRD, and 102CRD manufactured after October 10, 2012.

OUTSIDE AIR/DIRECT VENT KIT

50433KIT	Includes: Filler Section for Backplate with mounting bolts, 4" Air Inlet with Mounting Screws, Insert for Oil Line Opening, 1 5/8" Grommet for BX Cable, push plugs
----------	---

OPTIONAL ACCESSORIES

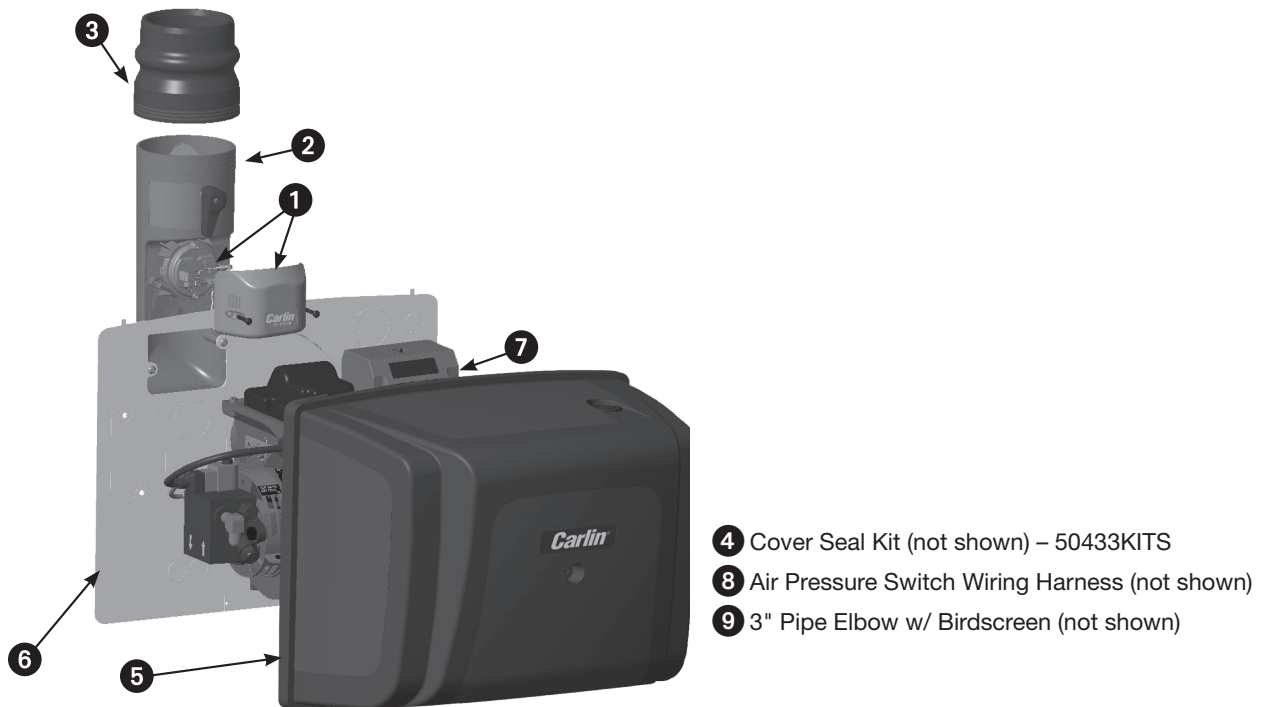
50271	Flex Line
-------	-----------

Part No.	Description	Firing Rate (GPH)	Contains
----------	-------------	-------------------	----------

CAP SYSTEM KIT – Designed to meet NFPA31, section 5.4.3.3

51300AS	Low Rate CAP Kit (for Carlin burners <u>with</u> covers)	0.50 - 1.00	① Air Pressure Switch Assembly with 50806A Switch, ② Combustion Air Inlet, ③ Connecting Flange, ④ Cover Seal Kit, ⑧ Air Pressure Switch Wiring Harness, ⑨ 3" Pipe Elbow w/ Birdscreen
51300BS	Medium Rate CAP Kit (for Carlin burners <u>with</u> covers)	1.05 - 1.45	① Air Pressure Switch Assembly with 50806B Switch, ② Combustion Air Inlet, ③ Connecting Flange, ④ Cover Seal Kit, ⑧ Air Pressure Switch Wiring Harness, ⑨ 3" Pipe Elbow w/ Birdscreen
51300CS	High Rate CAP Kit (for Carlin burners <u>with</u> covers)	1.50 - 2.00	① Air Pressure Switch Assembly with 50806C Switch, ② Combustion Air Inlet, ③ Connecting Flange, ④ Cover Seal Kit, ⑧ Air Pressure Switch Wiring Harness, ⑨ 3" Pipe Elbow w/ Birdscreen
51300S	Complete CAP System Kit (for Carlin burners <u>without</u> covers)	0.50 - 2.00	① Air Pressure Switch Assembly with 50806A, B & C Switches, ② Combustion Air Inlet, ③ Connecting Flange, ④ Cover Seal Kit, ⑤ Cover, ⑥ Cover Back Plate, ⑧ Air Pressure Switch Wiring Harness, ⑨ 3" Pipe Elbow w/ Birdscreen

Note: All CAP System models require ⑦ Carlin 70200 Primary Control manufactured after Sept. 2018



Part No.	Description
----------	-------------

99FRD OIL BURNER CHASSIS

10201	99FRD Carlin 48245 Intermittent Duty Control, 41000 Ignitor, CAD Cell, 1 Stg. Pump
10504	99FRD Carlin 40200 Interrupted Duty Control, 41000 Ignitor
97325	99FRD Carlin 41000 Ignitor Only, Junction Box
973250011J	99FRD Carlin 70200 Fully Adjustable Control , 45000 Ignitor

Note: Above burners come with 2 slot air bands and blank shutter. If firing over 2.25 GPH, you will need to order an open shutter.

BURNER MOUNTED OPTIONS – ADD-ONS

Contact Carlin	Pump 2 Stg., "B" Style
Contact Carlin	Suntec A2VA-3006 Single-Stage Fuel Unit with Integral Solenoid Valve
Contact Carlin	Carlin SVC Instant Opening Oil Valve
Contact Carlin	Delayed Opening Oil Valve

AIR TUBE AND COMBUSTION HEAD ASSEMBLIES

20180S	5" Standard
20230S	7" Standard
20313S	9" Standard
19919S	11" Standard

AIR TUBE AND CONVERSION KITS FOR OEM BOILERS – includes AT/CH, Flange and Gasket

64006	5" WS (See Instruction Sheet P/N 64105 for Boiler Model)
65524	7" WS (See Instruction Sheet P/N 67462 for Boiler Model)

MOUNTING FLANGE AND/OR PEDESTAL

23150S	3" Universal Flange/Gasket
23317S	Pedestal
72462S	3" Universal Flange/Gasket (10 pack)
72470S	Pedestal (10 pack)

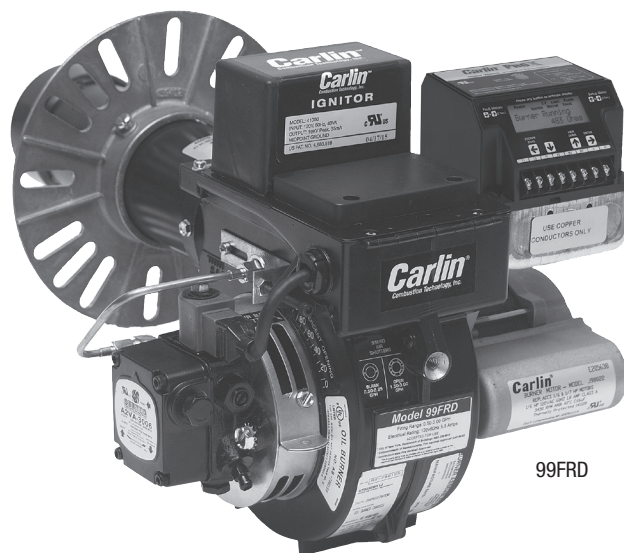
NOZZLES

Contact Carlin	Nozzles - Consult Factory for Availability of Spray Patterns
----------------	--

STANDARD EQUIPMENT

1. Burners with 70200 control have Carlin 45000 Ignitor, all other burners have 41000 Carlin Ignitor
2. CAD Cell
3. Single-Stage Pump
4. Carlin PSC Motor 1/7 hp, 3450 rpm
5. 4" x 4" Junction Box for Field Wiring

The maximum high-fire capability is reduced slightly when firing (forced-draft) against back-pressure. Visit carlincombustion.com for more information.



99FRD

Part No.	Description
102CRD OIL BURNER CHASSIS	
97403	102CRD Carlin 40200 Interrupted Duty Control, 41000 Ignitor
974030011J	102CRD Carlin 70200 Fully Adjustable Control, 45000 Ignitor
BURNER MOUNTED OPTIONS – ADD-ONS	
Contact Carlin	Pump 2 Stg., "B" Style (in lieu of "A" pump)
Contact Carlin	Suntec B2VA-4006 Two-Stage Fuel Unit with Integral Solenoid Valve
Contact Carlin	Delayed Opening Oil Valve
AIR TUBE AND COMBUSTION HEAD ASSEMBLIES	
21790S	5" with 2 5/8" I.D. Air Cone, 2.00 - 3.50 GPH "B" Style
21857S	7" with 2 5/8" I.D. Air Cone, 2.00 - 3.50 GPH "B" Style
21881S	9" with 2 5/8" I.D. Air Cone, 2.00 - 3.50 GPH "B" Style
21691S	11" with 2 5/8" I.D. Air Cone, 2.00 - 3.50 GPH "B" Style
21980S	5" with 3" I.D. Air Cone, 3.00 - 4.50 GPH "C" Style
21998S	7" with 3" I.D. Air Cone, 3.00 - 4.50 GPH "C" Style
22004S	9" with 3" I.D. Air Cone, 3.00 - 4.50 GPH "C" Style
21915S	11" with 3" I.D. Air Cone, 3.00 - 4.50 GPH "C" Style
MOUNTING FLANGE GASKETS AND PEDESTALS	
23150S	3" Universal Flange/Gasket
23317S	Pedestal
72462S	3" Universal Flange/Gasket (10 pack)
72470S	Pedestal (10 pack)
NOZZLES	
Contact Carlin	Consult Factory For Availability of Spray Patterns

STANDARD EQUIPMENT

1. Burners with 70200 control have Carlin 45000 Ignitor, all other burners have 41000 Carlin Constant Duty Solid State Ignitor
2. CAD Cell
3. Single-Stage Pump
4. 4" x 4" Junction Box for Field Wiring
5. Carlin PSC Motor 1/7 hp, 3450 rpm
6. Carlin Instant Opening Oil Valve

The maximum high-fire capability is reduced slightly when firing (forced-draft) against back-pressure. Visit carlincombustion.com for more information.

BURNERS FOR BOILERS & FURNACES

Carlin manufactures hundreds of burners that are factory-set for specific oil-fired appliances (Consult Carlin's Burner Setup Tables at www.CarlinCombustion.com). These burners (easily identified by a mounting flange that is welded onto the tube) can be purchased from the appliance manufacturer. If the appliance is no longer in production or the appliance manufacturer does not have the burner available, please contact us at 800-989-2275.

Part No.	Description
201CRD OIL BURNER CHASSIS	
91629B01	201CRD Carlin 40200 Control, 41000 Ignitor, 1 Stg., "A" Pump
91629B02	201CRD Carlin 70200 Fully Adjustable Control, 45000 Ignitor, 1 Stg. "A" Pump
916290033J	201CRD Carlin 70200 Fully Adjustable Control, 45000 Ignitor, 2 Stg. "B" Pump
201CRD OIL BURNER CHASSIS – for use in New York City only	
916290033JN	201CRD Carlin 70200 Fully Adjustable Control, 45000 Ignitor, 1 Stg. "A" Pump w/ NYC
916290033JBN	201CRD Carlin 70200 Fully Adjustable Control, 45000 Ignitor, 2 Stg. "B" Pump w/ NYC
BURNER MOUNTED OPTIONS – ADD-ONS	
Contact Carlin	Pump 2 Stg., "B" Style (in lieu of "A" pump)
Contact Carlin	Control Panel (also available for remote mounting)
Contact Carlin	Control Sets
AIR TUBE AND COMBUSTION HEAD ASSEMBLIES	
22046S	7" Standard
22053S	9" Standard
22012S	11" Standard
22020S	15" Standard
MOUNTING FLANGE AND/OR PEDESTAL	
23259S	4" Universal Flange/Gasket - Aluminum
23184S	4" Flange/Gasket for pressurized application
23358S	Pedestal
NOZZLES	
Contact Carlin	Nozzles - Consult Factory for Availability of Spray Patterns

STANDARD EQUIPMENT

1. Burners with 70200 control have Carlin 45000 Ignitor, all other burners have 41000 Carlin Constant Duty Solid State Ignitor
2. CAD Cell
3. Single-Stage Pump
4. 4" x 4" Junction Box for Field Wiring
5. Carlin PSC Motor, 1/4hp, 3450 rpm
6. Carlin Instant Opening Oil Valve
7. Pressure Augmentor
8. Electronic Time Delay, 4 Sec. (Not Required with 70200 Control)

The maximum high-fire capability is reduced slightly when firing (forced-draft) against back-pressure. Visit carlincombustion.com for more information.



201CRD

COMMERCIAL
OIL

Part No.	Description
301CRD OIL BURNER CHASSIS	
91652B02	301CRD Carlin 70200 Fully Adjustable Control, 45000 Ignitor, 1 Stg., "A" Pump
9165200B02B	301CRD Carlin 70200 Fully Adjustable Control, 45000 Ignitor, 2 Stg., "B" Pump
301CRD OIL BURNER CHASSIS – for use in New York City only	
916520033JN	301CRD Carlin 70200 Fully Adjustable Control, 45000 Ignitor, 1 Stg., "A" Pump w/ NYC
916520033JBN	301CRD Carlin 70200 Fully Adjustable Control, 45000 Ignitor, 2 Stg., "B" Pump w/ NYC
BURNER MOUNTED OPTIONS – ADD-ONS	
Contact Carlin	Pump 2 Stg., "B" Style (in lieu of "A" pump)
Contact Carlin	Control Panel
Contact Carlin	Control Sets
AIR TUBE AND COMBUSTION HEAD ASSEMBLIES	
22293S	6" with 3 1/4" I.D. Air Cone, 3 - 6 GPH "B" Style
22327S	8" with 3 1/4" I.D. Air Cone, 3 - 6 GPH "B" Style
22202S	10" with 3 1/4" I.D. Air Cone, 3 - 6 GPH "B" Style
22236S	14" with 3 1/4" I.D. Air Cone, 3 - 6 GPH "B" Style
22442S	6" with 3 1/2" I.D. Air Cone, 4 - 7 GPH "C" Style
22475S	8" with 3 1/2" I.D. Air Cone, 4 - 7 GPH "C" Style
22350S	10" with 3 1/2" I.D. Air Cone, 4 - 7 GPH "C" Style
22384S	14" with 3 1/2" I.D. Air Cone, 4 - 7 GPH "C" Style
MOUNTING FLANGE AND/OR PEDESTAL	
23259S	4" Universal Flange/Gasket - Aluminum
23184S	4" Flange/Gasket for pressurized application
23358S	Pedestal
NOZZLES	
Contact Carlin	Consult Factory for Availability of Spray Patterns

COMMERCIAL OIL

STANDARD EQUIPMENT

1. Carlin Pro-X 45000 Constant Duty Ignitor
3. Single Stage Pump
4. 4" x 4" Junction Box for Field Wiring
5. Carlin PSC Motor, 1/4hp, 3450 rpm
6. Carlin Instant Opening Oil Valve
7. Pressure Augmentor

The maximum high-fire capability is reduced slightly when firing (forced-draft) against back-pressure. Visit carlincombustion.com for more information.

Part No.	Description
601CRD OIL BURNER CHASSIS	
91660B03	601CRD Carlin 40200 Control, 41000 Ignitor, 2 Stg. Pump
91660B04	601CRD Carlin 70200 Fully Adjustable Control, 45000 Ignitor, 2 Stg. Pump
601CRD OIL BURNER CHASSIS – for use in New York City only	
916600033JN	601CRD Carlin 70200 Fully Adjustable Control, 45000 Ignitor, 2 Stg. Pump w/ NYC
BURNER MOUNTED OPTIONS – ADD-ONS	
Contact Carlin	2 Pole Motor Contactor (required when motor wired for 208-230 volts)
Contact Carlin	Pump 2 Stage "J" Style
Contact Carlin	Control Panel
Contact Carlin	Control Sets
AIR TUBE AND COMBUSTION HEAD ASSEMBLIES	
22517S	10" Standard
22541S	12" Standard
22574S	14" Standard
MOUNTING FLANGE AND/OR PEDESTAL	
23259S	4" Universal Flange/Gasket - Aluminum
23184S	4" Flange/Gasket for pressurized application
23382S	Pedestal
NOZZLES	
Contact Carlin	Nozzles - Consult Factory for Availability of Spray Patterns

STANDARD EQUIPMENT

1. Burners with 70200 control have Carlin 45000 Ignitor, all other burners have 41000 Carlin Constant Duty Solid State Ignitor
2. Two Stage Fuel Pump "B"
3. Motor 1/2hp, 3450 rpm, 115V, 60 Hz
4. Carlin Instant Opening Oil Valve
5. Electronic Time Delay, 4 Sec. (Not Required with 70200 Control)

The maximum high-fire capability is reduced slightly when firing (forced-draft) against back-pressure. Visit carlincombustion.com for more information.

COMMERCIAL OIL

Part No.	Description
701CRD OIL BURNER CHASSIS	
91686B04	701CRD Carlin 70200 Fully Adjustable Control, 45000 Ignitor, 2 Stg. Pump
701CRD OIL BURNER CHASSIS – for use in New York City only	
916860033JN	701CRD Carlin 70200 Fully Adjustable Control, 45000 Ignitor, 2 Stg. Pump w/NYC
BURNER MOUNTED OPTIONS – ADD-ONS	
Contact Carlin	Pump 2 Stage "J" Style
Contact Carlin	Control Sets
AIR TUBE AND COMBUSTION HEAD ASSEMBLIES	
22632S	10" Standard
22665S	12" Standard
22699S	14" Standard
MOUNTING FLANGE AND/OR PEDESTAL	
23259S	4" Universal Flange/Gasket - Aluminum
23184S	4" Flange/Gasket for pressurized application
23382S	Pedestal
NOZZLES	
Contact Carlin	Nozzles - (2) required - Consult Factory for Availability of Spray Patterns

STANDARD EQUIPMENT

1. 45000 Carlin Solid State Ignitor
2. Two Stage Fuel Pump "B"
3. Motor 1/2hp, 3450 rpm, 115/208-230V, 60 Hz
4. Low and High Fire Oil Valves
5. Damper Motor with End Switch
6. Electronic Time Delay, 4 Sec. (Not Required with 70200 Control)
7. Motor Contactor – 2 Pole, 120V, 60HZ Coil

The maximum high-fire capability is reduced slightly when firing (forced-draft) against back-pressure. Visit carlincombustion.com for more information.

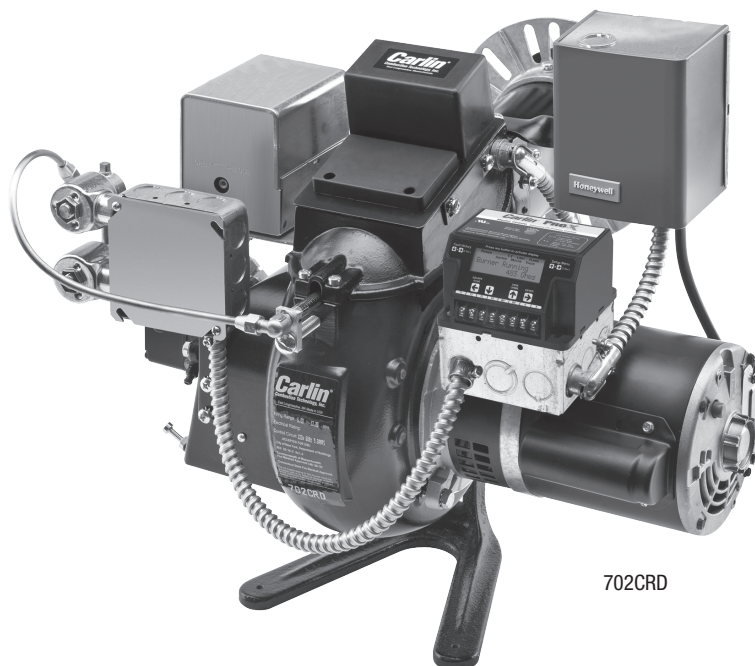
COMMERCIAL
OIL

Part No.	Description
702CRD OIL BURNER CHASSIS	
91694B04	702CRD Carlin 70200 Fully Adjustable Control, 45000 Ignitor, 2 Stg. Pump
702CRD OIL BURNER CHASSIS – for use in New York City only	
916940033JN	702CRD Carlin 70200 Fully Adjustable Control, 45000 Ignitor, 2 Stg. Pump w/ NYC
BURNER MOUNTED OPTIONS – ADD-ONS	
Contact Carlin	Control Panel
Contact Carlin	Control Sets
AIR TUBE AND COMBUSTION HEAD ASSEMBLIES	
68650S	10" Standard
MOUNTING FLANGE AND/OR PEDESTAL	
23259S	4" Universal Flange/Gasket - Aluminum
23184S	4" Flange/Gasket for pressurized application
23382S	Pedestal
NOZZLES	
Contact Carlin	Nozzles - Consult Factory for Availability of Spray Patterns

STANDARD EQUIPMENT

1. Carlin Pro-X 45000 Constant Duty Ignitor
2. Two Stage Two Step Fuel Pump "B"
3. Motor 1/2hp, 3450 rpm, 115/208-230V, 60 Hz
4. Low Fire and Redundant Oil Valve
5. Damper Motor with End Switch
6. Motor Contactor – 2 Pole, 120V, 60HZ Coil

The maximum high-fire capability is reduced slightly when firing (forced-draft) against back-pressure. Visit carlincombustion.com for more information.



702CRD

COMMERCIAL
OIL

Part No.	Description
801CRD OIL BURNER CHASSIS*	
91710B04	801CRD Carlin 70200 Fully Adjustable Control, 45000 Ignitor, 2 Stg. Pump
917100033J3	801CRD 208/230V Carlin 70200 Fully Adjustable Control, 45000 Ignitor, 2 Stg. Pump, 3 Phase Motor
Contact Carlin	801CRD 460V Carlin 70200 Fully Adjustable Control, 45000 Ignitor, 2 Stg. Pump, 3 Phase Motor

801CRD OIL BURNER CHASSIS* – for use in New York City only	
917100033JN	801CRD Carlin 70200 Fully Adjustable Control, 45000 Ignitor, 2 Stg. Pump w/ NYC
Contact Carlin	801CRD 208/230V Carlin 70200 Fully Adjustable Control, 45000 Ignitor, 2 Stg. Pump, 3 Phase Motor w/NYC
Contact Carlin	801CRD 460V Carlin 70200 Fully Adjustable Control, 45000 Ignitor, 2 Stg. Pump, 3 Phase Motor

***Alternate thermal overload required when changing voltage on site. See below for options**

THERMAL OVERLOADS (For changing voltage on site. 3-Phase Motors Only)	
51525D	Thermal Overload for Field Conversions - 208V
51525C	Thermal Overload for Field Conversions - 230V
51525	Thermal Overload for Field Conversions - 460V

BURNER MOUNTED OPTIONS – ADD-ONS	
Contact Carlin	Pump 2 Stg. "J" Style
Contact Carlin	Control Panel
Contact Carlin	Control Sets

AIR TUBE AND COMBUSTION HEAD ASSEMBLIES	
22756S	10" Standard
22780S	12" Standard
22814S	15" Standard

UV Controls Require 12" or 15" Air Tube

UV Controls with Panel Mounted Require 15" Air Tube

MOUNTING FLANGE AND/OR PEDESTAL	
23283S	5" Universal Flange/Gasket - Cast Aluminum
23218S	5" Flange/Gasket for pressurized application
59576S	5" Flange required for UV Application
23382S	Pedestal

NOZZLES	
Contact Carlin	Nozzles - (2) Required - Consult Factory for Availability of Spray Patterns

STANDARD EQUIPMENT

1. Carlin Pro-X 45000 Constant Duty Ignitor
2. Two Stage Fuel Pump "B"
3. Motor 3/4hp, 3450 rpm, 115/208-230V, 60 Hz, 1 Phase
4. Low and High Fire Oil Valves
5. Damper Motor with End Switch
6. Motor Contactor – 2 Pole, 120V, 60HZ Coil

The maximum high-fire capability is reduced slightly when firing (forced-draft) against back-pressure. Visit carlincombustion.com for more information.

Part No.	Description
----------	-------------

1050FFD OIL BURNER CHASSIS* – Firing Up to 20GPH

917281833J	1050FFD 115/208-230V Carlin 70200 Control, 45000 Ignitor (up to 20 GPH) 1 Phase Motor
917281833J3	1050FFD 208-230V Carlin 70200 Control, 45000 Ignitor (up to 20 GPH) 3 Phase Motor
Contact Carlin	1050FFD 460V Carlin 70200 Control, 45000 Ignitor (up to 20 GPH) 3 Phase Motor

1050FFD OIL BURNER CHASSIS* – Firing Over 20GPH

9172818V43	1050FFD 115/208-230V EMX43UV Control Pkg, 41000 Ignitor (over 20 GPH) 1 Phase Motor
Contact Carlin	1050FFD 208V EMX43UV Control Pkg, 41000 Ignitor (over 20 GPH) 3 Phase Motor
9172818V43H3	1050FFD 230V EMX43UV Control Pkg, 41000 Ignitor (over 20 GPH) 3 Phase Motor
Contact Carlin	1050FFD 460V EMX43UV Control Pkg, 41000 Ignitor (over 20 GPH) 3 Phase Motor
Contact Carlin	1050FFD Burner (Base Price Less Control Package for Above 20 GPH)

1050FFD OIL BURNER CHASSIS* FOR USE IN NEW YORK CITY ONLY – Firing Up to 20GPH

917281833JN	1050FFD 115/208-230V Carlin 70200 Control, 45000 Ignitor (up to 20 GPH) w/ NYC, 1 Phase Motor
Contact Carlin	1050FFD 208-230V Carlin 70200 Control, 45000 Ignitor (up to 20 GPH) w/ NYC, 3 Phase Motor
Contact Carlin	1050FFD 460V Carlin 70200 Control, 45000 Ignitor (up to 20 GPH) w/ NYC, 3 Phase Motor

1050FFD OIL BURNER CHASSIS* FOR USE IN NEW YORK CITY ONLY – Firing Over 20GPH

9172818V43N	1050FFD 115/208-230V EMX43UV Control Pkg, 41000 Ignitor w/NYC, 1 Phase Motor
Contact Carlin	1050FFD 208V EMX43UV Control Pkg, 41000 Ignitor w/NYC, 3 Phase Motor
Contact Carlin	1050FFD 230V EMX43UV Control Pkg, 41000 Ignitor w/NYC, 3 Phase Motor
Contact Carlin	1050FFD 460V EMX43UV Control Pkg, 41000 Ignitor w/NYC, 3 Phase Motor

***Alternate thermal overload required when changing voltage on site. See below for options**

THERMAL OVERLOADS (For changing voltage on site. 3-Phase Motors Only) Up to 20GPH

51525E	Thermal Overload for Field Conversions - 208V
51525D	Thermal Overload for Field Conversions - 230V
51525B	Thermal Overload for Field Conversions - 460V

THERMAL OVERLOADS (For changing voltage on site. 3-Phase Motors Only) Over 20GPH

51525E	Thermal Overload for Field Conversions - 208V/230V
51525C	Thermal Overload for Field Conversions - 460V

BURNER MOUNTED OPTIONS – ADD-ONS

Contact Carlin	Code Requirement Options Available
Contact Carlin	Control Panel
Contact Carlin	Control Sets

NOZZLES

Contact Carlin	Nozzles - (3) Required – Consult Factory for Availability of Spray Patterns
----------------	---

STANDARD EQUIPMENT

1. Motor 1hp, 1 Phase, 115/208-230V
2. Motor Contactor – 2 pole, 120V, 60HZ Coil
3. Burners with 70200 control have Carlin 45000 Ignitor, all other burners have 41000 Carlin Constant Duty Solid State Ignitor
4. Two Stage Fuel Pump “J”
5. Low and High Fire Oil Valves
6. Air Tube/Combustion Head, Pedestal, Flange and Spacer
7. Damper Motor with End Switch

Note: When ordering you must specify the following:

1. Select “Control Option” from Price Book Page 22.
2. Specify “Spacer Length” – 4" or 5" (4" or 5" spacer length required for Honeywell ultra-violet self-checking controls.)

The maximum high-fire capability is reduced slightly when firing (forced-draft) against back-pressure. Visit carlincombustion.com for more information.

COMMERCIAL OIL

Part No.	Description
1150FFD OIL BURNER CHASSIS*	
7311415U43	1150FFD 115/208-230V EMX43UV Control Set, 41000 Ignitor, 1 Phase Motor
Contact Carlin	1150FFD 208V EMX43UV Control Set, 41000 Ignitor, 3 Phase Motor
7311514U433	1150FFD 230V EMX43UV Control Set, 41000 Ignitor, 3 Phase Motor
Contact Carlin	1150FFD 460V EMX43UV Control Set, 41000 Ignitor, 3 Phase Motor
Contact Carlin	1150FFD, Add Control Set (See Control Set Price Sheet)

1150FFD OIL BURNER CHASSIS* – for use in New York City only	
7311415U43N	1150FFD 115/208-230V EMX43UV Control Set, 41000 Ignitor, 1 Phase w/ NYC
Contact Carlin	1150FFD 208V EMX43UV Control Set, 41000 Ignitor, 3 Phase w/ NYC
7311415U43N3	1150FFD 230V EMX43UV Control Set, 41000 Ignitor, 3 Phase w/ NYC
Contact Carlin	1150FFD 460V EMX43UV Control Set, 41000 Ignitor, 3 Phase w/ NYC

***Alternate thermal overload required when changing voltage on site. See below for options**

THERMAL OVERLOADS (For changing voltage on site, 3 Phase Motors Only)	
51525E	Thermal Overload for Field Conversions - 208V/230V
51525C	Thermal Overload for Field Conversions - 460V

BURNER MOUNTED OPTIONS – ADD-ONS	
Contact Carlin	Code Requirement Options Available
Contact Carlin	Control Panel
Contact Carlin	Control Sets

NOZZLES	
Contact Carlin	Nozzles - (3) Required - Consult Factory for Availability of Spray Patterns

STANDARD EQUIPMENT

1. Motor 1-1/2hp, 1 Phase, 115/208-230V
2. Motor Contactor – 2 pole, 120V, 60HZ Coil
3. 41000 Carlin Solid State Ignitor
4. Two Stage Fuel Pump “J”
5. Low and High Fire Oil Valves
6. Air Tube/Combustion Head, Pedestal, Flange and Spacer
7. Damper Motor with End Switch
8. Air Flow Proven Switch
9. Duplex Switch Package

Note: When ordering you must specify the following:

1. Select “Control Option” from Price Book Page 22.
2. Specify “Spacer Length” – 4", 5", or 6" (4" or 5" spacer length required for Honeywell ultra-violet self-checking controls.)

The maximum high-fire capability is reduced slightly when firing (forced-draft) against back-pressure. Visit carlincombustion.com for more information.

COMMERCIAL
OIL

To substitute an optional control package for the standard control included in the chassis only price (Models 201CRD thru 801CRD) or the burner price (Models 1050FFD and 1150FFD), do the following:

1. Select optional control package to be substituted.
2. Add control package cost, as shown in "Price Adder" column to base burner cost.

Note: Air flow switch, low oil pressure switch, and safety oil valve required for IRI. Air flow switch and safety oil valve required for FM.

Optional Control Package Substituted is:		
Control Set Part Number	Relay Part Number	Notes
FIREYE ULTRA-VIOLET SCANNERS		
EMX24UV	MP230	Fireye Control (1, 5, 6)--Non-Recycling, 4 Sec. TFI, 4 Sec. Flame Stabilization Period, 4 Sec. FFRT, 30 Sec. Pre-Purge, MP230 Programmer, 61-3060 Sub-Base, MAUV1 Amplifier, UV1A Scanner.
HONEYWELL ULTRA-VIOLET SCANNERS		
EMX15UV	RM7897C	1000 Honeywell Control (1, 5, 6)--Field Selectable Recycling, 10 Sec. TFI, 3 Sec. FFRT, 30 Sec. Pre-Purge, 15 Sec Post-Purge, R7849A 1023 UV Amplifier, Q7800B 1003 Sub-Base, C7027A 1023 Scanner, ST7800A 1039 Timing Card.
EMX43UV	RM7840L	1075 Honeywell Control (3, 4, 6)--Field Selectable Recycling, 10 Sec. TFI, Field Selectable 3.0 FFRT, 30 Sec. Pre-Purge, 15 Sec. Post-Purge, Q7800B 1003 Sub-Base, C7027A 1023 UV Scanner, R7849A 1023 UV Amplifier, ST7800A 1039 Timing Card. Over 20 GPH Control Package.
EMX43UVSC	RM7840L	1075 Honeywell Control (2, 3, 4, 6)--Field Selectable Recycling, 10 Sec. TFI, Field Selectable 3.0 FFRT, 30 Sec. Pre-Purge, Q7800B 1003 Sub-Base, C7027A 1023 UV Scanner, R7849B 1021 UV Amplifier SC, ST7800A 1039 Timing Card. Over 20 GPH Control Package.
HONEYWELL INFRA-RED SCANNERS		
EMX45UVSC	RM7840L	1075 Honeywell Control (2, 3, 4, 6)--Field Selectable Recycling, 10 Sec. TFI, Field Selectable 3.0 FFRT, 30 Sec. Pre-Purge, 15 Sec. Post-Purge, Q7800B 1003 Sub-Base, C7915A1010 IR Scanner, R7852B1009 Amplifier (Self Check), ST7800A 1039 Timing Card. Over 20 GPH.
VISUAL DISPLAY		
Honeywell	97719	RM 7800 Display Module
CAD CELL CONTROL SETS (SEE NOTE 1)		
60E	60200-02	Carlin Interrupted Duty Microprocessor--Recycling - 15 Sec. TFI, Cad Cell Flame Detector, Alarm Contacts.
70E	70200	Carlin Fully Adjustable Control-with Alarm and Blocked Vent Contacts.

NOTES

1. All control packages meet CSD-1, Mass Code, UL-296, and NYC-BAR codes for under 20 GPH.
2. Meets Mass Code over 20 GPH where noted.
3. Meets UL-296 over 20 GPH where noted.
4. Meets NYC-BAR Code over 20 GPH and under 30 GPH where noted.
5. Can be installed on all units under 20 GPH.
6. Selected units meet IRI requirements with additional sensors installed. In addition to a non-recycling control, IRI requires the installation of a low oil pressure switch and an airflow switch.
7. Air flow switch, low oil pressure switch, and safety oil valve required for IRI. Air flow switch and safety oil valve required for FM.
8. Scotch Marine boilers may require custom panel - consult factory

COMMERCIAL OIL

Part No.	Description
CONTROL PANELS	
Consult Carlin	Standard Control Panel - 10¼"W x 15¼"H x 10"D
Consult Carlin	Large/Remote Mount Control Panel - 16"W x 14"H x 7"D

- Burner-mounted panels are available on models: 201CRD, 301CRD, 601CRD, 701CRD, 702CRD, 801CRD, 1050FFD and 1150FFD burners.
- Remote mountings are available for all Residential and Commercial burner models.
- Price of control must be added.
- All panel options are not compatible and all possible specification options are not covered. Each panel must be submitted to Carlin Engineering for final approvals and the exact price will be sent to the customer in the acknowledgment.

STANDARD FEATURES

- Terminal Block with required terminal modules (up to 25 terminal modules)
- Terminal Block Marking Strip
- Service Switch
- Low Fire Switch (on 701CRD and larger only)
- Circuit Breaker with reset (on control circuit)
- Wiring Harness to accommodate specific control
- Wiring Diagram
- Removable Hinged Door
- Hinged Top for easy access

NOTE: Air flow switch, low oil pressure switch, and safety oil valve required for IRI. Air flow switch and safety oil valve required for FM. 6020002 control does not meet IRI or FM requirements.

Part No.	Add-On Options
82552	Diaphragm Air Flow Switch
33845	Alarm Bell
61200	Alarm Silencing System
35899	Low Oil Pressure Switch
98007	Transformer, 120/24V, 40 VA
50418	Control Circuit Transformer (specify primary voltage & phase) 240-480/120
50420	Control Circuit Transformer (specify primary voltage & phase) 190-220/380-440/120
50419	Control Circuit Transformer (specify primary voltage & phase) 600/120
97991	DPDT R4222D1039 Isolating Relay
97237	Relay Base 8-Pin
78741	Low-High Switch Panel Kit
61267	Safety Oil Valve Kit
37341	Oil Pressure Gage (400#) with Shut-off Cock
	Remote Panel Option
51671W	Indicator Light Lamp

INDICATOR LIGHTS AS SPECIFIED	
Consult Carlin	Select from the following indicator lights: Power On, Burner Motor, Flow (when air flow switch specified), Ignition, Main Flame, High Fire, Control Lockout, High Limit, Low Water, Call for Heat.

Appliance	Chassis		Air Tube Kit Part No.	Nozzle(s)		
	Burner	Chassis Part No.		Nozzle (1)	Nozzle (2)	Nozzle (3)
BURNHAM V SERIES						
V903A	301CRD	9165200B02B	98147KIT	2.50 80B	N/A	N/A
V904	301CRD	9165200B02B	91991KIT	3.00 80SS	N/A	N/A
V904A	301CRD	9165200B02B	98147KIT	3.50 80SS	N/A	N/A
V905	301CRD	9165200B02B	91991KIT	3.75 80SS	N/A	N/A
V905A	301CRD	9165200B02B	98148KIT	4.50 80SS	N/A	N/A
V906	301CRD	9165200B02B	91918KIT	4.50 60H	N/A	N/A
V906A	702CRD	91694B04	98149KIT	4.00 60P	N/A	N/A
V907	702CRD	91694B04	49304KIT	4.00 70B	N/A	N/A
V907A	702CRD	91694B04	98149KIT	5.00 60P	N/A	N/A
V908	702CRD	91694B04	49304KIT	4.50 70B	N/A	N/A
V908A	702CRD	91694B04	98149KIT	5.50 60P	N/A	N/A
V909	702CRD	91694B04	49304KIT	5.00 70B	N/A	N/A
V909A	801CRD	91710B04	98150KIT	5.50 45H	4.00 45H	N/A
V910	702CRD	91694B04	49304KIT	6.00 70B	N/A	N/A
V910A	801CRD	91710B04	98150KIT	6.50 45H	4.50 45H	N/A
V911	702CRD	91694B04	49304KIT	6.50 60PLP	N/A	N/A
V911A	801CRD	91710B04	98150KIT	6.00 45H	6.00 45H	N/A
V912	801CRD	91710B04	49445KIT	5.50 45H	5.00 45H	N/A
V912A	801CRD	91710B04	98150KIT	7.00 45H	6.50 45H	N/A
V1105	702CRD	91694B04	97979KIT	4.50 60B	N/A	N/A
V1106	702CRD	91694B04	97979KIT	5.50 60B	N/A	N/A
V1107	801CRD	91710B04	97980KIT	5.50 45H	4.50 45H	N/A
V1108	801CRD	91710B04	97980KIT	5.50 45H	5.50 45H	N/A
V1109	801CRD	91710B04	97980KIT	6.00 45H	6.00 45H	N/A
V1110	1050FFD	9046433JV1110	Included	9.00 45SS	3.75 45SS	3.75 45SS
V1111	1050FFD	9046433JV1111	Included	9.00 45SS	4.50 45SS	4.50 45SS
V1112	1050FFD	9046433JBV12	Included	9.00 45SS	5.50 45SS	5.50 45SS
V1113	1050FFD	90464V43B13	Included	9.00 45SS	6.50 45SS	6.50 45SS
V1114	1150FFD	97732V4311	Included	12.00 45SS	5.50 45SS	6.00 45SS
V1115	1150FFD	97732V4311	Included	12.00 45SS	7.00 45SS	6.50 45SS
V1116	1150FFD	97732V4311	Included	12.00 45SS	7.50 45SS	7.50 45SS
V1117	1150FFD	97732V4311	Included	12.00 45SS	8.50 45SS	8.50 45SS

Contact Customer Service to confirm application prior to ordering. Some Burnham applications may have changed due to the DOE 2020 CPB efficiency standard.

Appliance	Chassis		Air Tube Kit Part No.	Nozzle(s)		
	Burner	Chassis Part No.		Nozzle (1)	Nozzle (2)	Nozzle (3)
PEERLESS SC/SCT						
SC/SCT-05	201CRD	916290033J	48835KIT	2.50 60B	N/A	N/A
SC/SCT-06	201CRD	916290033J	48835KIT	3.00 60B	N/A	N/A
SC/SCT-07	201CRD	916290033J	48835KIT	3.25 45SS	N/A	N/A
SC/SCT-08	201CRD	916290033J	48835KIT	3.75 45SS	N/A	N/A
SC/SCT-09	301CRD	9165200B02B	49049KIT	4.00 45B	N/A	N/A
SC/SCT-10	301CRD	9165200B02B	49049KIT	4.50 45B	N/A	N/A
PEERLESS LC						
LC-04	301CRD	9165200B02B	97507KIT	4.00 60SS	N/A	N/A
LC-05R	301CRD	9165200B02B	97507KIT	4.50 60SS	N/A	N/A
LC-05	702CRD	91694B04	97500KIT	3.50 45P	N/A	N/A
LC-06	702CRD	91694B04	97500KIT	4.50 45P	N/A	N/A
LC-07	702CRD	91694B04	97500KIT	5.00 45P	N/A	N/A
LC-08	702CRD	91694B04	97500KIT	6.00 45P	N/A	N/A
LC-09	801CRD	91710B04	49460KIT	5.50 45H	4.00 45H	N/A
LC-10	801CRD	91710B04	49460KIT	6.00 45B	4.50 45B	N/A
LC-11	801CRD	91710B04	49460KIT	6.00 45B	5.50 45B	N/A
LC-12	801CRD	91710B04	49460KIT	6.50 45B	6.00 45B	N/A
LC-13	801CRD	91710B04	49460KIT	6.50 45B	7.00 45B	N/A
LC-14	801CRD	91710B04	49460KIT	6.50 45B	8.50 45B	N/A
PEERLESS TC						
TC-04	702CRD	91694B04	93377KIT	4.50 45P	N/A	N/A
TC-05	702CRD	91694B04	93377KIT	6.00 45P	N/A	N/A
TC-06	801CRD	91710B04	49429KIT	5.50 45B	4.50 45B	N/A
TC-07	801CRD	91710B04	49429KIT	6.00 45B	6.00 45B	N/A
TC-08	801CRD	91710B04	49429KIT	6.50 45B	7.50 45B	N/A
TC-09	1050FFD	7277733JTC9	Included	9.00 45SS	5.00 45SS	5.00 45SS
TC-10	1050FFD	7277733JTC10	Included	9.00 45SS	6.50 45SS	6.50 45SS
TC-11	1150FFD	17046V43TC12	Included	12.00 45SS	6.00 45SS	6.00 45SS
TC-12	1150FFD	17046V43TC12	Included	12.00 45SS	7.00 45SS	7.00 45SS
TC-13	1150FFD	17046V43TC12	Included	12.00 45SS	8.50 45SS	8.50 45SS
TC-14	1150FFD	17046V43TC12	Included	12.00 45SS	9.00 45SS	9.00 45SS
PEERLESS TCII						
TCII-4	702CRD	91694B04	93377KIT	4.50 45P	N/A	N/A
TCII-5	702CRD	91694B04	93377KIT	5.50 45H	N/A	N/A
TCII-6	801CRD	91710B04	49429KIT	5.50 45H	4.50 45H	N/A
TCII-7	801CRD	91710B04	49429KIT	6.00 45B	5.50 45B	N/A
TCII-8	801CRD	91710B04	49429KIT	6.50 45B	6.50 45B	N/A
TCII-9	1050FFD	72777TC1	Included	9.00 45SS	4.50 45SS	5.00 45SS
TCII-10	1050FFD	72777TC4	Included	9.00 45SS	6.00 45SS	6.00 45SS
TCII-11	1150FFD	17046TC1	Included	11.00 45SS	6.00 45SS	6.00 45SS
TCII-12	1150FFD	17046TC1	Included	12.00 45SS	6.50 45SS	6.50 45SS
TCII-13	1150FFD	17046TC1	Included	13.00 45SS	7.00 45SS	7.00 45SS
TCII-14	1150FFD	17046TC1	Included	14.00 45SS	7.50 45SS	7.50 45SS

Parts List ■ Items that are shaded are considered stock items.

Appliance	Chassis		Air Tube Kit Part No.	Nozzle(s)		
	Burner	Chassis Part No.		Nozzle (1)	Nozzle (2)	Nozzle (3)
SMITH 19						
19A-03	201CRD	916290033J	98307KIT	2.00 70B	N/A	N/A
19A-04	301CRD	91652B02	90787KIT	2.75 80SS	N/A	N/A
19A-05	301CRD	91652B02	90787KIT	4.00 60PLP	N/A	N/A
19A-06	702CRD	91694B04	49312KIT	3.75 60P	N/A	N/A
19A-07	702CRD	91694B04	49312KIT	4.50 60P	N/A	N/A
19A-08	702CRD	91694B04	49312KIT	5.00 60P	N/A	N/A
19A-09	702CRD	91694B04	49312KIT	6.00 60P	N/A	N/A
19A-10	801CRD	91710B04	91827KIT	5.50 45H	4.00 45H	N/A
19A-11	801CRD	91710B04	91827KIT	5.50 45H	5.50 45H	N/A
19A-12	801CRD	91710B04	91827KIT	6.00 45H	6.00 45H	N/A
SMITH 28						
28A-4	702CRD	91694B04	93377KIT	4.50 45P	N/A	N/A
28A-5	702CRD	91694B04	93377KIT	6.00 45P	N/A	N/A
28A-6	801CRD	91710B04	49429KIT	5.50 45H	4.50 45H	N/A
28A-7	801CRD	91710B04	49429KIT	6.00 45H	6.00 45H	N/A
28A-8	801CRD	91710B04	49429KIT	6.50 45H	7.50 45H	N/A
28A-9	1050FFD	1551133J28	Included	9.00 45SS	5.00 45SS	5.00 45SS
28A-10	1050FFD	15511U43S28	Included	9.00 45SS	6.50 45SS	6.50 45SS
28A-11	1150FFD	97227U43S281	Included	12.00 45SS	6.00 45SS	6.00 45SS
28A-12	1150FFD	97227U43S281	Included	12.00 45SS	7.00 45SS	7.00 45SS
28A-13	1150FFD	97227U43S281	Included	12.00 45SS	8.50 45SS	8.50 45SS
28A-14	1150FFD	97227U43S281	Included	12.00 45SS	9.00 45SS	9.00 45SS
SMITH HE28						
HE 28-4	702CRD	91694B04	93377KIT	4.50 45P	N/A	N/A
HE 28-5	702CRD	91694B04	93377KIT	5.50 45H	N/A	N/A
HE 28-6	801CRD	91710B04	49429KIT	5.50 45H	4.50 45H	N/A
HE 28-7	801CRD	91710B04	49429KIT	6.00 45H	5.50 45H	N/A
HE 28-8	801CRD	91710B04	49429KIT	6.50 45H	6.50 45H	N/A
HE 28-9	1050FFD	1551133J28	Included	9.00 45SS	4.50 45SS	5.00 45SS
HE 28-10	1050FFD	15511U43S28	Included	9.00 45SS	6.00 45SS	6.00 45SS
HE 28-11	1150FFD	97227U43S281	Included	11.00 45SS	6.00 45SS	6.00 45SS
HE 28-12	1150FFD	97227U43S281	Included	12.00 45SS	6.50 45SS	6.50 45SS
HE 28-13	1150FFD	97227U43S281	Included	13.00 45SS	7.00 45SS	7.00 45SS

APPLIANCE SPECIFIC OIL

Appliance	Chassis		Air Tube Kit Part No.	Nozzle(s)		
	Burner	Chassis Part No.		Nozzle (1)	Nozzle (2)	Nozzle (3)
WEIL-MCLAIN 80 SERIES						
480	201CRD	916290033J	48736KIT	2.75 60P	N/A	N/A
580	301CRD	9165200B02B	96792KIT	3.75 60P	N/A	N/A
680	301CRD	9165200B02B	96792KIT	4.50 60P	N/A	N/A
780	702CRD	91694B04	49304KIT	3.75 45P	N/A	N/A
880	702CRD	91694B04	49304KIT	4.50 45P	N/A	N/A
980	702CRD	91694B04	49304KIT	5.00 45P	N/A	N/A
1080	702CRD	91694B04	49304KIT	5.50 45P	N/A	N/A
1180	702CRD	91694B04	49304KIT	6.00 45P	N/A	N/A
1280	801CRD	91710B04	49445KIT	5.50 45P	4.00 45P	N/A
WEIL-MCLAIN 88 SERIES						
488-R2	702CRD	91694B04	49304KIT	4.00 60PLP	N/A	N/A
488	702CRD	91694B04	49304KIT	4.00 60PLP	N/A	N/A
588	702CRD	91694B04	49304KIT	5.50 70P	N/A	N/A
688	801CRD	91710B04	49445KIT	5.50 45H	4.50 45H	N/A
788	801CRD	91710B04	49445KIT	6.00 45H	5.50 45H	N/A
888	801CRD	91710B04	49445KIT	6.50 45H	7.00 45H	N/A
988	1050FFD	1574333JBL88	Included	9.00 45SS	4.50 45SS	5.00 45SS
1088R	1050FFD	1574333JBL88	Included	10.00 45SS	5.00 45SS	5.00 45SS
1088	1050FFD	15743V43BL88	Included	10.00 45SS	6.00 45SS	5.50 45SS
1188	1150FFD	97329V43BL88	Included	12.00 45SS	6.00 45SS	5.50 45SS
1288	1150FFD	97329V43BL88	Included	12.00 45SS	7.00 45SS	7.00 45SS
1388	1150FFD	97329V43BL88	Included	13.00 45SS	7.50 45SS	8.00 45SS
1488	1150FFD	97329V43BL88	Included	14.00 45SS	8.00 45SS	9.00 45SS
WEIL-MCLAIN 88 SERIES 2						
488-R	702CRD	91694B04	49304KIT	4.00 70P	N/A	N/A
488	702CRD	91694B04	49304KIT	4.00 70P	N/A	N/A
588	702CRD	91694B04	49304KIT	5.50 60P	N/A	N/A
688	801CRD	91710B04	49445KIT	5.50 45H	4.50 45H	N/A
788	801CRD	91710B04	49445KIT	6.00 45H	5.50 45H	N/A
888	801CRD	91710B04	49445KIT	6.50 45H	7.00 45H	N/A
988R	1050FFD	1574333JBL88	Included	9.00 45SS	4.00 45S	4.00 45SS
988	1050FFD	1574333JBL88	Included	9.00 45SS	4.50 45SS	5.00 45SS
1088R	1050FFD	1574333JBL88	Included	10.00 45SS	5.00 45SS	5.00 45SS
1088	1050FFD	15743V43BL88	Included	10.00 45SS	6.00 45SS	5.50 45SS
1188	1150FFD	97329V43BL88	Included	12.00 45SS	6.00 45SS	5.50 45SS
1288	1150FFD	97329V43BL88	Included	12.00 45SS	7.00 45SS	7.00 45SS
1388	1150FFD	97329V43BL88	Included	13.00 45SS	7.50 45SS	8.00 45SS
1488	1150FFD	97329V43BL88	Included	14.00 45SS	8.00 45SS	8.00 45SS

Weil-McLain Series 1 & 2 ONLY. No Application for 88 Series 3 Boilers.

Part No.	Description
----------	-------------

EZGas Pro APPLIANCE SPECIFIC BURNERS

Factory configured EZ Gas Burners. Available for a wide variety of oil-fired appliances. (Consult Carlin's Burner Set-Up Tables at www.CarlinCombustion.com). Includes welded mounting flange, mounted diffuser plate and air band, and a pre-drilled orifice.

Consult Factory	EZGas Pro Appliance Specific Burners
-----------------	--------------------------------------

EZGas Pro MULTI-FIT BURNERS

Includes one diffuser (**B**: 50,000-175,000 BTU, **A**: 150,000 -275,000 BTU, **9-Slot**: 70,000-230,000 BTU) and matching Air Band, Adjustable Flange, Field Drilled Orifice

9859210BFR1	EZGas Pro Natural/Propane 10" Air Tube, "B" Diffuser
9859210AFR1A	EZGas Pro Natural/Propane 10" Air Tube, "A" Diffuser
9859210SFR1	EZGas Pro Natural/Propane 10" Air Tube, 9-Slot Diffuser
9859212BFR1	EZGas Pro Natural/Propane 12" Air Tube, "B" Diffuser
9859212AFR1	EZGas Pro Natural/Propane 12" Air Tube, "A" Diffuser
9859212SFR1	EZGas Pro Natural/Propane 12" Air Tube, 9-Slot Diffuser
9859214BFR1	EZGas Pro Natural/Propane 14" Air Tube, "B" Diffuser
9859214AFR1	EZGas Pro Natural/Propane 14" Air Tube, "A" Diffuser
9859214SFR3	EZGas Pro Natural/Propane 14" Air Tube, 9-Slot Diffuser
9859216BFR	EZGas Pro Natural/Propane 16" Air Tube, "B" Diffuser
9859216AFR	EZGas Pro Natural/Propane 16" Air Tube, "A" Diffuser
9859218BFR1	EZGas Pro Natural/Propane 18" Air Tube, "B" Diffuser
9859218AFR	EZGas Pro Natural/Propane 18" Air Tube, "A" Diffuser

EZGas Pro UNIVERSAL (Full BTU Range) BURNERS

Includes three Diffuser Plates (A, B, and 9-Slot), two Air Bands (1-Slot and 2-Slot), Adjustable Flange and Field Drilled Orifice.

9859210FRU	Universal (Full Range) EZGas Pro Burner 10" Air Tube - Accommodates most boilers
9859210FRU1	As Above with Cover (RESCVR5S) Installed
9859214FRU	Universal (Full Range) EZGas Pro Burner 14" Air Tube - Accommodates most Furnaces & Water Heaters
9859214FRU1	As Above with Cover (RESCVR5S) Installed

EZGas Pro STANDARD EQUIPMENT

- 24V Dual Gas Valve (Natural or Propane Gas) LP Conversion Kit not required.
- Direct Spark Ignition
- Pre-Wired Package Burner
- Carlin 60200FR Primary Safety Control
- Carlin Solid State Ignitor 9KV
- Carlin PSC Motor
- Indicator Light – Flame Present
- Flame Signal Test Jack
- Heavy Duty Universal Mounting Flange or OEM Welded Flange & Gasket
- Air Tube: 10" with UTL 1-3/4" - 3-1/2", 12" with UTL 1-3/4" - 5-1/2", 14" with UTL 1-3/4" - 7-1/2", 16" with UTL 1-3/4 - 9-1/2", 18" with UTL 1-3/4 - 11-1/2"
- Orifice Drilled for 3/32" Pilot Hole

OPTIONAL EQUIPMENT

- Pedestal Part No. 23317BLUS
- Cover Kit (see next page)

NOTE: EZGas Service Kit Totes – see page 28

The maximum high-fire capability is reduced slightly when firing (forced-draft) against back-pressure. Visit carlincombustion.com for more information.

Part No.	Description
GAS BURNERS COVER KITS – For Use on Carlin EZGas Pro Burners	
RESCVR5S	Cover Kit-Gas: Includes cover, backplate, mounting hardware, 8" field drilled orifice
33902FS	Shallow junction box kit

NOTE: Fits EZGas Burners manufactured after August 9, 2012.



Part No.	Description
OUTSIDE AIR/DIRECT VENT KIT	
50433KIT	Includes: Filler Section for Backplate with mounting bolts, 4" Air Inlet with Mounting Screws, Insert for Oil Line Opening, 1-5/8" Grommet for BX Cable, push plugs

**Filler Section
for Backplate**



Grommet



**Insert for Oil
Line Opening**



4" Air Inlet



Part No.	Description
----------	-------------

EZGAS PRO BURNER SERVICE KIT TOTE

Use for EZGAS PRO Burners

GPROTOTES*	EZGas Pro Burner Service Kit Tote
------------	-----------------------------------

*For EZGAS PRO Burners manufactured after 11/2013

INCLUDES

1. EZGAS Pro Burner Instruction Manual
2. 13" Flame Rod WireEZGFRWIREs
3. Carlin Ignitor4180002S1
4. Carlin 60200FR Control60200FRS
5. 10" Electrode/Flame Rod98433AS
6. 12" Electrode/Flame Rod98433BS
7. 14" Electrode/Flame Rod98433CS
8. Air Flow Switch 24V50806S
9. Gas Valve 24V50824S
10. Flame Signal Test Jack & Ignitor Spark Tester99017S
11. Orifice Nipple9938440XX
12. Full Firing Rate Kit A,B & 9S Diffuser & Airbands ...50808KITS
13. Transformer 24V50822S



EZGAS BURNER SERVICE KIT TOTE

Use for EZGAS Burners

EZGASTOTES*	EZ-Gas Burner Service Kit Tote
-------------	--------------------------------

*For EZGAS Burners manufactured before 11/2013

INCLUDES

1. EZ-Gas Burner Instruction Manual
2. 13" Flame Rod WireEZGFRWIREs
3. Carlin Ignitor4180002S1
4. Carlin 60200FR Control60200FRS
5. 10" Electrode/Flame Rod98433AS
6. 12" Electrode/Flame Rod98433BS
7. 14" Electrode/Flame Rod98433CS
8. Air Flow Switch 120V98522S
9. Gas Valve98523S
10. Flame Signal Test Jack & Ignitor Spark Tester99017S
11. Orifice Nipple9938440XX

RESIDENTIAL GAS

Part No.	Description
201GAS GAS BURNERS WITH DIRECT SPARK IGNITION, 120V CONTROL SYSTEM AND 120V GAS VALVE	
<i>150,000-399,000 BTUH INPUT Diffuser BTU Rates: "C" Diffuser 150,000-215,000 BTU, "B" Diffuser 215,000-300,000 BTU, "A" Diffuser 300,000-399,000 BTU</i>	
9859308CFR	201GAS Natural/Propane 8" Air Tube, "C" Diffuser
9859308BFRA	201GAS Natural/Propane 8" Air Tube, "B" Diffuser
9859308AFR1	201GAS Natural/Propane 8" Air Tube, "A" Diffuser
9859310CFR	201GAS Natural/Propane 10" Air Tube, "C" Diffuser
9859310BFRA	201GAS Natural/Propane 10" Air Tube, "B" Diffuser
9859310AFRA	201GAS Natural/Propane 10" Air Tube, "A" Diffuser
9859312CFR	201GAS Natural/Propane 12" Air Tube, "C" Diffuser
9859312BFRA	201GAS Natural/Propane 12" Air Tube, "B" Diffuser
9859312AFR	201GAS Natural/Propane 12" Air Tube, "A" Diffuser
9859314CFR1	201GAS Natural/Propane 14" Air Tube, "C" Diffuser
9859314BFRA2	201GAS Natural/Propane 14" Air Tube, "B" Diffuser
9859314AFR1	201GAS Natural/Propane 14" Air Tube, "A" Diffuser
9859316CFR	201GAS Natural/Propane 16" Air Tube, "C" Diffuser
9859316BFRA	201GAS Natural/Propane 16" Air Tube, "B" Diffuser
9859316AFRA	201GAS Natural/Propane 16" Air Tube, "A" Diffuser

STANDARD EQUIPMENT

1. 120V Combination Gas Valve and Regulator (Natural or Propane Gas)
2. Direct Spark Ignition
3. Pre-Wired Package Burner
4. Carlin 60200FR Primary Safety Control
5. Carlin Solid State Ignitor 9KV
6. Carlin PSC Motor
7. Indicator Light – Flame Present
8. Flame Signal Test Jack
9. Heavy Duty Universal Mounting Flange or OEM Welded Flange & Gasket
10. Air Tube: 8" with UTL 1-3/4"- 2-1/2", 10" with UTL 1-3/4"- 4-1/2", 12" with UTL 1-3/4"- 6-1/2", 14" with UTL 1-3/4"- 8-1/2", 16" with UTL 1-3/4"- 10-1/2"
11. Orifice Drilled for 3/32" Pilot Hole

OPTIONAL EQUIPMENT

1. Pedestal Part No. 23358BLUS.

Model 201GAS fires both natural & propane gas without a conversion kit.

The maximum high-fire capability is reduced slightly when firing (forced-draft) against back-pressure. Visit carlincombustion.com for more information.



201GAS

RESIDENTIAL
GAS

Part No.	Description
----------	-------------

301GAS GAS BURNERS WITH DIRECT SPARK IGNITION, 120V CONTROL SYSTEM AND PRE-WIRED GAS TRAIN

Note: Low Gas Pressure Train required for burners firing with less than 5" W.C. See Adder Below for Low Gas Pressure Gas Trains. In Massachusetts, you Can't fire this burner over 999,999 BTUH. See 601GAS for burners firing over 999,999 BTUH. Gas trains come pre-wired, pre-piped and factory tested. Model 301GAS fires both natural and propane gas without a conversion kit.

CHASSIS & TRAIN – 401,000-1,100,000 BTUH INPUT

9931214LFR	301GAS Natural/Propane 14" B Air Tube, Firing Rate 401,000-700,000 BTUH, blank air shutter
9931214MFR	301GAS Natural/Propane 14" C Air Tube, Firing Rate 550,000-1,100,000 BTUH, partial (center) air shutter
9931214HFR	301GAS Natural/Propane 14" C Air Tube, Firing Rate 750,000-1,100,000 BTUH, no air shutter

MASSACHUSETTS BURNERS (with train) REQUIRE A NON-RECYCLING CONTROL – 401,000-999,999 BTUH INPUT

9931214LFRM	301GAS Natural/Propane 14" Air Tube, Firing Rate 401,000-700,000 BTUH
9931214MFRM	301GAS Natural/Propane 14" Air Tube, Firing Rate 550,000-999,999 BTUH
9931214HFRM	301GAS Natural/Propane 14" Air Tube, Firing Rate 750,000-999,999 BTUH

LOW GAS PRESSURE GAS TRAINS – REPLACES STANDARD GAS TRAIN

Consult Factory	Low Gas Pressure - 1 1/4" Gas Train for up to 700,000 BTUH
Consult Factory	Low Gas Pressure - 1 1/2" Gas Train for up to 950,000 BTUH

VENTLESS GAS TRAINS. ADD TO BURNER PRICE ABOVE

Consult Factory	1" Gas train for up to 700,000 BTUH for Natural or Propane
Consult Factory	1 1/2" Gas Train for up to 950,000 BTUH for Natural or Propane
Consult Factory	2" Gas Train for up to 1,000,000 BTUH for Natural or Propane

STANDARD EQUIPMENT

1. Direct Spark Ignition
2. Carlin 41800 Solid State Ignitor 9KV
3. Carlin 60200FR Primary Safety Control
4. Indicator Light – Flame Present
5. Flame Signal Test Jack
6. Carlin 1/6 HP PSC Motor
7. Tridelta Model AP4638 Differential Pressure Type Air Flow Switch
8. Universal Flange & Gasket
9. 14" Air Tube
10. Standard Burner comes equipped with 1" Standard Gas Train

GAS TRAIN EQUIPMENT – PREWIRED, PREPIPED, & FACTORY TESTED

1. Maxitrol Model RV-61 Gas Pressure Regulator
2. Model V4295A Solenoid Gas Valve
3. Model V48A Diaphragm Gas Valve with Bleed Orifice
4. Low Pressure Gas Switch
5. High Pressure Gas Switch

OPTIONAL EQUIPMENT

1. Pedestal Part No. 23358BLUS
- Model 301GAS fires both natural & propane gas without a conversion kit.

99518C*	1" Train
99519C*	1 1/4" Train
99924C*	1 1/2" Train
99925C*	2" Train

*To meet Mass code, please add 'EN' to part number.

Part No.	Description
----------	-------------

601GAS GAS BURNERS WITH DIRECT SPARK IGNITION, 120V CONTROL SYSTEM AND PRE-WIRED GAS TRAIN

Note: Low Gas Pressure Train required for burners firing with less than 5" W.C. See Adder Below for Low Gas Pressure Burners. For Massachusetts burners with low gas pressure add the Low Gas Pressure Gas Train to the burner cost. Gas trains come pre-wired, pre-piped and factory tested. Model 601GAS fires both natural and propane gas without a conversion kit.

CHASSIS & TRAIN – 700,000-1,500,000 BTUH INPUT

9952014LFR	601GAS Natural/Propane - 14" Air Tube, 1" Gas Train 700,000-1,000,000 BTUH
9952014MFR	601GAS Natural/Propane - 14" Air Tube, 1" Gas Train 800,000-1,050,000 BTUH
9952014HFR	601GAS Natural/Propane - 14" Air Tube, 1 1/4" Gas Train 900,000-1,500,000 BTUH

MASSACHUSETTS BURNERS (with train) REQUIRE A NON-RECYCLING CONTROL – 700,000-1,500,000 BTUH INPUT

9952014LFR-MN	MA 601GAS Natural 14" Air Tube, 1" Gas Train 700,000-1,000,000 BTUH
9952014LFR-MP	MA 601GAS Propane 14" Air Tube, 1" Gas Train 700,000-1,000,000 BTUH
9952014MFR-MN	MA 601GAS Natural 14" Air Tube, 1" Gas Train 800,000-1,050,000 BTUH
9952014MFR-MP	MA 601GAS Propane 14" Air Tube, 1" Gas Train 800,000-1,050,000 BTUH
9952014HFR-MN	MA 601GAS Natural 14" Air Tube, 1 1/4" Gas Train 900,000-1,500,000 BTUH
9952014HFR-MP	MA 601GAS Propane 14" Air Tube, 1 1/4" Gas Train 900,000-1,500,000 BTUH

VENTLESS GAS TRAINS. ADD TO BURNER PRICE ABOVE

Consult Factory	1" Gas train for up to 1,050,000 BTUH for Natural or Propane
Consult Factory	1 1/2" Gas Train for up to 1,300,000 BTUH for Natural or Propane
Consult Factory	2" Gas Train for up to 1,500,000 BTUH for Natural or Propane

LOW GAS PRESSURE GAS TRAINS – REPLACES STANDARD GAS TRAIN

9952014HFR-MN15	Burners with MA Code Low Gas Pressure Train - 1 1/2" Gas Train for to 1,000,000 BTUH
9952014HFR-15	Burners with Low Gas Pressure Train- 1 1/2" Gas Train for up to 1,000,000 BTUH
9952014HFR-MN20	Burners with MA Code Low Gas Pressure Train- 2" Gas Train for up to 1,400,000 BTUH
9952014HFR-20	Burners with Low Gas Pressure Train - 2" Gas Train for up to 1,400,000 BTUH

STANDARD EQUIPMENT

1. Direct Spark Ignition
2. Carlin 41800 Solid State Ignitor
3. Carlin 60200FR Primary Safety Control
4. Indicator Light – Flame Present
5. Flame Signal Test Jack
6. Marathon 1/2 HP Motor
7. Tridelta Model AP 4638
8. Universal Flange & Gasket
9. 14" Air Tube

OPTIONAL EQUIPMENT

1. Pedestal Part No. 23382BLU1S
- Model 601GAS fires both natural & propane gas without a conversion kit.

Part No.	Description
----------	-------------

702GAS BURNERS WITH DIRECT SPARK IGNITION, 120V CONTROL SYSTEM AND PRE-WIRED GAS TRAIN

Note: Select Chassis and Train. Low Gas Pressure Train required for burners firing with less than 5" W.C. See Adder Below for Low Gas Pressure Burners. Massachusetts burners require special wiring codes. See below.

IMPORTANT: Gas Pressure can fluctuate based on local area demand. Select the gas train that corresponds to the lowest anticipated pressure. When in doubt, select the next larger train size or call Tech Support at 800-989-2275 for assistance.

CHASSIS – 840,000-1,600,000 BTUH INPUT

50065V50	702GAS Standard Chassis Only
50065V50M	702GAS Massachusetts Code Chassis Only

CHOOSE ORIFICE BELOW

73007S	Orifice used for Natural Gas
73007AS	Orifice used for Propane Gas

STANDARD AND LOW GAS PRESSURE TRAIN

99743G	1 1/2" Gas Train for Low Pressure up to 1,000,000 BTUH, Standard Pressure up to 1,400,000 BTUH
99743J	2" Gas Train for Low and Standard Pressure up to 1,600,000 BTUH

MASSACHUSETTS CODE AND LOW GAS PRESSURE TRAIN WITH LOW AND HIGH PRESSURE SWITCHES

99743H	1 1/2" Gas Train for Low Pressure up to 1,000,000 BTUH, Standard Pressure up to 1,400,000 BTUH
99743K	2" Gas Train for Low and Standard Pressure up to 1,600,000 BTUH

VENTLESS GAS TRAINS WITH LOW AND HIGH PRESSURE SWITCHES

99743GNV	1 1/2" Gas Train for Low Pressure up to 1,000,000 BTUH, Standard Pressure up to 1,400,000 BTUH
99743JNV	2" Gas Train for Low and Standard Pressure up to 1,600,000 BTUH

STANDARD EQUIPMENT

- | | |
|---|-----------------------|
| 1. Carlin 41800 Solid State Ignitor | 5. Damper Motor SQN71 |
| 2. Model RM7897C Primary Safety Control | 6. 14" Air Tube |
| 3. Model C7027A UV Scanner | 7. Panel |
| 4. Marathon 1/2 HP Motor | |

GAS TRAIN EQUIPMENT – PREWIRED, PREPIPED, & FACTORY TESTED

- | | |
|--|---|
| 1. Maxitrol Model RV Gas Pressure Regulators | 3. Model V48A Diaphragm Gas Valve |
| 2. Model V4295A Solenoid Gas Valve | 4. Model V4305M Combination Pilot Valve |

OPTIONAL EQUIPMENT

1. Pedestal Part No. 23382S

Model 702GAS fires both natural & propane gas without a conversion kit.

The maximum high-fire capability is reduced slightly when firing (forced-draft) against back-pressure. Visit carlincombustion.com for more information.

Part No.	Description
----------	-------------

801GAS BURNERS WITH PILOT IGNITION, 120V CONTROL SYSTEM AND PREWIRED GAS TRAIN

Note: Select Chassis and Train. Low Gas Pressure Train required for burners firing with less than 5" W.C. Massachusetts burners require special wiring codes. See below.

IMPORTANT: Gas Pressure can fluctuate based on local area demand. Select the gas train that corresponds to the lowest anticipated pressure. When in doubt, select the next larger train size or call Tech Support at 800-989-2275 for assistance.

CHASSIS – 1,400,000-2,100,000 BTUH INPUT

52600A	801 GAS Standard Chassis Only
--------	-------------------------------

CHASSIS – 2,100,000-2,499,999 BTUH INPUT

52600B	801 GAS Standard Chassis Only
--------	-------------------------------

STANDARD AND LOW GAS PRESSURE TRAIN

51572G	1 1/2" Gas Train for Low Pressure up to 1,800,000 BTUH, Standard Pressure up to 2,100,000 BTUH
51572J	2" Gas Train for Low and Standard Pressure up to 2,499,999

MASSACHUSETTS CODE AND LOW GAS PRESSURE TRAIN WITH LOW AND HIGH PRESSURE SWITCHES

51572H	1 1/2" Gas Train for Low Pressure up to 1,800,000 BTUH, Standard Pressure up to 2,100,000 BTUH
51572K	2" Gas Train for Low and Standard Pressure up to 2,499,999 BTUH

MASSACHUSETTS VENTLESS GAS TRAINS WITH LOW AND HIGH PRESSURE SWITCHES

51601HV	1 1/2" Gas Train for Low Pressure up to 1,800,000 BTUH, Standard Pressure up to 2,100,000 BTUH
51601KV	2" Gas Train for Low and Standard Pressure up to 2,499,999 BTUH

•Meets Mass Code

PANEL UPGRADE KITS

Burner includes standard panel at no additional cost with the option to upgrade via one of our factory-installed panel kits (listed below).

Standard Panel Includes: LIGHTS: Power On, Call for Heat SWITCHES: Service, Gas On/Off, Low/High Fire, Air Flow

PNLKIT1	Panel add-on Kit #1. Includes Standard Equipment plus • Flame Failure Light • Auxillary Relay (energized on call for heat, used to power auxillary devices)
PNLKIT2	Panel add-on Kit #2. Includes Standard Equipment plus • Flame Failure Light • Low Water Light
PNLKIT3	Panel add-on Kit #3. Includes Standard Equipment plus • Flame Failure Light • High Limit Light • Alarm Silence Switch • Alarm Bell

STANDARD EQUIPMENT

1. Carlin 41800 Solid State Ignitor
2. Model RM7897C Primary Safety Control
3. Model C7027A UV Scanner
4. Marathon 3/4 HP Motor or 1.5HP if firing over 2.1
5. Damper Motor SQN71 with End Switch
6. 15" Air Tube
7. Panel

GAS TRAIN EQUIPMENT – PREWIRED, PREPIPED & FACTORY TESTED

1. Maxitrol Model RV Gas Pressure Regulator
2. Model V4295A Solenoid Gas Valve
3. Model V48A Diaphragm Gas Valve
4. Asco 8214G Pilot Gas Valve

OPTIONAL EQUIPMENT

1. Gas Train Pedestal Part No. 23382S
2. Auto Fuel-Changeover functionality available – consult factory
3. 3 Phase Motor: Options for 208-230V or 460V - Consult Factory (Note: Alternate thermal overload required when changing voltage on site for 3 Phase motors only)

Model 801GAS fires both natural & propane gas without a conversion kit. Only need to change pilot orifice.

The maximum high-fire capability is reduced slightly when firing (forced-draft) against back-pressure. Visit carlincombustion.com for more information.

Part No.	Description
----------	-------------

702G/O COMBINATION GAS/OIL BURNERS WITH 120V CONTROL SYSTEM AND PREWIRED GAS TRAIN

Note: Select Chassis and Train. Low Gas Pressure Train required for burners firing with less than 5" W.C. See Adder Below for Low Gas Pressure Burners. Massachusetts burners require special wiring codes. See below.

IMPORTANT: Gas Pressure can fluctuate based on local area demand. Select the gas train that corresponds to the lowest anticipated pressure. When in doubt, select the next larger train size or call Tech Support at 800-989-2275 for assistance.

CHASSIS – 6.0-11.2 GPH OIL AND 840,000-1,600,000 BTUH INPUT

99445V50	702G/O Standard Chassis Only
99445V50M	702G/O Massachusetts Code Chassis Only
99445V50N	702G/O New York City Chassis Only

CHOOSE ORIFICE BELOW

73007S	Orifice used for Natural Gas
73007AS	Orifice used for Propane Gas

STANDARD AND LOW GAS PRESSURE GAS TRAIN

99743G	1 1/2" Gas Train for Low Pressure up to 1,000,000 BTUH, Standard Pressure up to 1,400,000 BTUH
99743J	2" Gas Train for Low and Standard Pressure up to 1,600,000 BTUH

MASSACHUSETTS CODE AND LOW GAS PRESSURE TRAIN WITH LOW AND HIGH PRESSURE SWITCHES

99743H	1 1/2" Gas Train for Low Pressure up to 1,200,000 BTUH, Standard Pressure up to 1,600,000 BTUH
99743K	2" Gas Train for Low and Standard Pressure up to 1,600,000 BTUH

VENTLESS GAS TRAINS WITH LOW AND HIGH PRESSURE SWITCHES*

99743GNV	1 1/2" Gas Train for Low Pressure up to 1,200,000 BTUH, Standard Pressure up to 1,600,000 BTUH
99743JNV	2" Gas Train for Low and Standard Pressure up to 1,600,000 BTUH

*Meets Mass Code

STANDARD EQUIPMENT

- | | |
|---|---------------------------------------|
| 1. Carlin 45000 & 41800 Solid State Ignitor | 5. Damper Motor SQN71 with End Switch |
| 2. Model RM7897C Primary Safety Control | 6. 14" Air Tube |
| 3. Model C7027A UV Scanner | 7. Two Stage Two Step Fuel Pump "B" |
| 4. Marathon 1/2 HP Motor | 8. Panel |

GAS TRAIN EQUIPMENT – PREWIRED, PREPIPED & FACTORY TESTED

- Maxitrol Model RV Gas Pressure Regulator
- Model V4295A Solenoid Gas Valve
- Model V48A Diaphragm Gas Valve
- Model VR4305M Combination Pilot Valve

OPTIONAL EQUIPMENT

- Pedestal Part No. 23382S
- Model 702G/O fires both natural & propane gas without a conversion kit. Only need to change pilot orifice.

Part No.	Description
----------	-------------

801GO COMBINATION GAS/OIL BURNERS WITH 120V CONTROL SYSTEM AND PREWIRED GAS TRAIN

*Note: Select Chassis and Train. Low Gas Pressure Train required for burners firing with less than 5" W.C. See Adder Below for Low Gas Pressure Burners. Massachusetts burners require special wiring codes. See below.
IMPORTANT: Gas Pressure can fluctuate based on local area demand. Select the gas train that corresponds to the lowest anticipated pressure. When in doubt, select the next larger train size or call Tech Support at 800-989-2275 for assistance.*

CHASSIS – 10.4 TO 15.0 GPH OIL AND 1,400,000-2,100,000 BTUH INPUT

51600A	801G/O Standard Chassis Only
51600AN	801G/O New York City Chassis Only

CHASSIS – 15.0-17.5 GPH OIL AND 2,100,000-2,499,999 BTUH INPUT

51600B	801G/O Standard Chassis Only
51600BN	801G/O New York City Chassis Only

STANDARD AND LOW GAS PRESSURE GAS TRAIN

51572G	1 1/2" Gas Train for Low Pressure up to 1,800,000 BTUH, Standard Pressure up to 2,100,000 BTUH
51572J	2" Gas Train for Low and Standard Pressure up to 2,499,999 BTUH

MASSACHUSETTS CODE AND LOW GAS PRESSURE TRAIN WITH LOW AND HIGH PRESSURE SWITCHES

51572H	1 1/2" Gas Train for Low Pressure up to 1,800,000 BTUH, Standard Pressure up to 2,100,000 BTUH
51572K	2" Gas Train for Low and Standard Pressure up to 2,499,999 BTUH

MASSACHUSETTS VENTLESS GAS TRAINS WITH LOW AND HIGH PRESSURE SWITCHES*

51601HV	1 1/2" Gas Train for Low Pressure up to 1,800,000 BTUH, Standard Pressure up to 2,100,000 BTUH
51601KV	2" Gas Train for Low and Standard Pressure up to 2,499,999 BTUH

*Meets Mass Code

PANEL UPGRADE KITS

Burner includes standard panel at no additional cost with the option to upgrade via one of our factory-installed panel kits (listed below).
Standard Panel Includes: LIGHTS: Power On, Call for Heat SWITCHES: Service, Fuel Selector, Low/High Fire, Air Flow

PNLKIT1	Panel add-on Kit #1. Includes Standard Equipment plus • Flame Failure Light • Auxillary Relay (energized on call for heat, used to power auxillary devices)
PNLKIT2	Panel add-on Kit #2. Includes Standard Equipment plus • Flame Failure Light • Low Water Light
PNLKIT3	Panel add-on Kit #3. Includes Standard Equipment plus • Flame Failure Light • High Limit Light • Alarm Silence Switch • Alarm Bell

STANDARD EQUIPMENT

- | | |
|--|-------------------------------------|
| 1. Carlin 45000 & 41800 Solid State Ignitor | 5. Damper Motor with End Switch |
| 2. Model RM7897C Primary Safety Control | 6. 15" Air Tube |
| 3. Model C7027A UV Scanner | 7. Two Stage Two Step Fuel Pump "B" |
| 4. Marathon 3/4 HP Motor or 1.5HP if firing over 2.1 | 8. Panel |

GAS TRAIN EQUIPMENT – PREWIRED, PREPIPED & FACTORY TESTED

- Maxitrol Model RV Gas Pressure Regulator
- Model V4295A Solenoid Gas Valve
- Model V48A Diaphragm Gas Valve
- Asco 8214G Pilot Gas Valve

OPTIONAL EQUIPMENT

- Pedestal Part No. 23382S
 - Auto Fuel-Changeover functionality available – consult factory
- The maximum high-fire capability is reduced slightly when firing (forced-draft) against back-pressure. Visit carlincombustion.com for more information.

Fuel Type	Chassis			Air Tube Kit Includes Orifices			Air Shutter Setting	Front Plate (from Boiler Mfg.)
	Appliance	Burner	Chassis Part No.	Air Tube Kit Part No.	Natural Gas Orifice	Propane Orifice		Part No.
BURNHAM								
Both	V903A	301GAS	99312-10	99597KIT	9925020AH 31/64	995020U 25/64	FULL	602292311
Both	V904A	301GAS	99312-10	99597KIT	9925020AW 37/64	995020X 7/16	FULL	602292311
Both	V905A	601GAS	99520-10	99597KIT1	9925020BA 23/32	9925020BT 33/64	N/A	602292311
Nat Gas	V906A	601GAS	99520-12	99600KIT	9947620CJ 1-1/16	—	N/A	602292311
Propane			99520-10	99599KIT	—	9925020AJ 5/8		
Nat Gas	V907A	601GAS	99520-12	99600KIT1	9947620AR 1-1/8	—	N/A	602292311
Propane			99520-10	99599KIT1	—	9925020BD 19/32		
Nat Gas	V908A	601GAS	99520-12	99600KIT1	9947620AZ 15/16	—	N/A	602292311
Propane			99520-10	99599KIT1	—	9925020AP 11/16		

Contact Customer Service to confirm application prior to ordering. Some Burnham applications may have changed due to the DOE 2020 CPB efficiency standard.

PEERLESS SC/SCT								
Both	SC/SCT-05	301GAS	99312-10	99749BKIT	9925020AG 29/64	9925020T 3/8	FULL	90604
Both	SC/SCT-06	301GAS	99312-10	99749AKIT	9925020AM 1/2	9925020V 13/32	FULL	90604
Both	SC/SCT-07	301GAS	99312-10	99749KIT	9925020AV 35/64	9925020X 7/16	FULL	90604
Both	SC/SCT-08	301GAS	99312-10	99749KIT	9925020BD 19/32	9925020AG 29/64	FULL	90604
Both	SC/SCT-09	301GAS	99312-10	99733KIT	9925020BD 19/32	9925020AY 15/32	CENTER	90604
Both	SC/SCT-10	301GAS	99312-10	99733KIT	9925020BR 21/32	9925020AM 1/2	CENTER	90604
PEERLESS LC								
Both	LC-04	301GAS	99312-10	99581KIT	9925020BD 19/32	9925020AG 29/64	CENTER	S1049
Both	LC-05R	301GAS	99312-10	99539KIT	9925020BR 21/32	9925020AM 1/2	CENTER	S1049
Both	LC-05	301GAS	99312-10	99539KIT	9925020BA 23/32	9925020AV 35/64	NONE	S1049
Nat Gas	LC-06	601GAS	99520-12	99540KIT	9947620CD 1.38	—	N/A	S1049
Propane			99520-10	99539KIT2	—	9925020BD 19/32		
Nat Gas	LC-07	601GAS	99520-12	99540KIT1	9947620CD 1.38	—	N/A	S1049
Propane			99520-10	99539KIT3	—	9925020BR 21/32		

Fuel Type	Chassis			Air Tube Kit Includes Orifices			Air Shutter Setting	Front Plate (from Boiler Mfg.)
	Appliance	Burner	Chassis Part No.	Air Tube Kit Part No.	Natural Gas Orifice	Propane Orifice		Part No.
SMITH								
Nat Gas	19A-03	201GAS	99076FR3	N/A	9938440AK 9/16	—	NONE	3565
Propane	19A-03	201GAS	99076FR3P	N/A	—	9938440X 7/16	NONE	3565
Both	19A-04	301GAS	99312-10	99728KIT	9925020AL 17/32	9925020V 13/32	CENTER	3565
Both	19A-05	301GAS	99312-10	99528KIT	9925020AJ 5/8	9925020AM 1/2	NONE	3565
Both	19A-06	301GAS	99312-10	99529KIT	9925020AN 25/32	9925020AK 9/16	NONE	3565
Nat Gas	19A-07	601GAS	99520-12	99530KIT	9947620CD 1.38	—	N/A	3565
Propane	19A-07	601GAS	99520-10	99529KIT1	—	9952020AJ 5/8	N/A	3565
Nat Gas	19A-08	601GAS	99520-12	99530KIT1	9947620AR 1-1/8	—	N/A	3565
Propane	19A-08	601GAS	99520-10	99529KIT2	—	9952020AP 11/16	N/A	3565
WEIL-MCLAIN 80 SERIES								
Both	480	301GAS	99312-10	99311KIT	9925020AM 1/2	9925020T 3/8	FULL	385-700-235
Both	580	301GAS	99312-10	99311KIT	9925020AK 9/16	9925020X 7/16	PARTIAL	385-700-235
Both	680	301GAS	99312-10	99310KIT	9925020AJ 5/8	9925020AM 1/2	PARTIAL	385-700-235
Both	780	301GAS	99312-10	99310KIT	9925020AP 11/16	9925020AL 17/32	NO SHUTTER	385-700-235
Both	880	601GAS	99520-10	99310KIT1	9925020CB 1.05	9925020BD 19/32	N/A	385-700-235
Nat Gas	980	601GAS	99520-12	99538KIT	9947620AZ 15/16	—	N/A	385-700-235
Propane			99520-10	99310KIT2	—	9925020BR 21/32		
Nat Gas	1080	601GAS	99520-12	99538KIT	9947620AR 1-1/8	—	N/A	385-700-235
Propane			99520-12	99538KIT2	—	9947620AX 3/4		
WEIL-MCLAIN 88 SERIES								
Nat Gas	488	601GAS	99520-12	99538KIT	9947620BZ 13/16	—	N/A	386-300-220
Propane			99520-10	99310KIT2	—	9925020AJ 5/8		386-300-220
Nat Gas	588	601GAS	99520-12	99538KIT	9947620AR 1-1/8	—	N/A	386-300-220
Propane			99520-12	99538KIT2	—	9947620AX 3/4		386-300-220

Weil-McLain Series 1 & 2 ONLY. No Application for 88 Series 3 Boilers.

Fuel Type	Chassis			Air Tube Kit Includes Orifices			Air Shutter Setting	Front Plate (from Boiler Mfg.)
	Appliance	Burner	Chassis Part No.	Air Tube Kit Part No.	Natural Gas Orifice	Propane Orifice		Part No.
BURNHAM								
Both	V903A	301GAS	99312-10M	99597KIT	9925020AH 31/64	9925020U 25/64	FULL	602292311
Both	V904A	301GAS	99312-10M	99597KIT	9952020AW 37/64	9925020X 7/16	FULL	602292311
Both	V905A	601GAS	99520-10M	99597KIT1	9925020BA 23/32	9925020BT 33/64	N/A	602292311
Nat Gas	V906A	601GAS	99520-12M	99600KIT	9947620CJ 1-1/16	—	N/A	602292311
Propane			99520-10MP	99599KIT	—	9925020AJ 5/8		602292311
Nat Gas	V907A	601GAS	99520-12M	99600KIT1	9947620AR 1-1/8	—	N/A	602292311
Propane			99520-10MP	99599KIT1	—	9925020BD 19/32		602292311
Nat Gas	V908A	601GAS	99520-12M	99600KIT1	9947620AZ 15/16	—	N/A	602292311
Propane			99520-10MP	99599KIT1	—	9925020AP 11/16		602292311

Note: V903A through V905A boilers require 8" extended front plate (if not already equipped) part no. 6022909

Contact Customer Service to confirm application prior to ordering. Some Burnham applications may have changed due to the DOE 2020 CPB efficiency standard.

PEERLESS SC/SCT								
Both	SC/SCT-05	301GAS	99312-10M	99749BKIT	9925020AG 29/64	9925020T 3/8	FULL	90604
Both	SC/SCT-06	301GAS	99312-10M	99749AKIT	9925020AM 1/2	9925020V 13/32	FULL	90604
Both	SC/SCT-07	301GAS	99312-10M	99749KIT	9925020AV 35/64	9925020X 7/16	FULL	90604
Both	SC/SCT-08	301GAS	99312-10M	99749KIT	9925020BD 19/32	9925020AG 29/64	FULL	90604
Both	SC/SCT-09	301GAS	99312-10M	99733KIT	9925020BD 19/32	9925020AY 15/32	CENTER	90604
Both	SC/SCT-10	301GAS	99312-10M	99733KIT	9925020BR 21/32	9925020AM 1/2	CENTER	90604
PEERLESS LC								
Both	LC-04	301GAS	99312-10M	99581KIT	9925020BD 19/32	9925020AG 29/64	CENTER	S1049
Both	LC-05R	301GAS	99312-10M	99539KIT	9925020BR 21/32	9925020AM 1/2	CENTER	S1049
Both	LC-05	301GAS	99312-10M	99539KIT1	9925020BA 23/32	9925020AV 35/64	NONE	S1049
Nat Gas	LC-06	601GAS	99520-12M	99540KIT	9947620CD 1.38	—	N/A	S1049
Propane			99520-10MP	99539KIT2	—	9925020BD 19/32		
Nat Gas	LC-07	601GAS	99520-12M	99540KIT1	9947620CD 1.38	—	N/A	S1049
Propane			99520-10MP	99539KIT3	—	9925020BR 21/32		

Fuel Type	Chassis			Air Tube Kit Includes Orifices			Air Shutter Setting	Front Plate (from Boiler Mfg.)
	Appliance	Burner	Chassis Part No.	Air Tube Kit Part No.	Natural Gas Orifice	Propane Orifice		Part No.
SMITH								
Nat Gas	19A-03	201GAS	99076FR3	N/A	9938440AK 9/16	—	NONE	3565
Propane			99076FR3P	N/A	—	9938440x 7/16		
Both	19A-04	301GAS	99312-10M	99728KIT	9925020AL 17/32	9925020V 13/32	CENTER	3565
Both	19A-05	301GAS	99312-10M	99528KIT	9925020AJ 5/8	9925020AM 1/2	NONE	3565
Both	19A-06	301GAS	99312-10M	99529KIT	9925020AN 25/32	9925020AK 9/16	NONE	3565
Nat Gas	19A-07	601GAS	99520-12M	99530KIT	9947620CD 1.38	—	N/A	3565
Propane			99520-10MP	99529KIT1	—	9952020AJ 5/8		
Nat Gas	19A-08	601GAS	99520-12M	99530KIT1	9947620AR 1-1/8	—	N/A	3565
Propane			99520-10MP	99529KIT2	—	9952020AP 11/16		
WEIL-MCLAIN 80 SERIES								
Both	480	301GAS	99312-10M	99311KIT	9925020AM 1/2	9925020T 3/8	FULL	385-700-235
Both	580	301GAS	99312-10M	99311KIT	9925020AK 9/16	9925020X 7/16	PARTIAL	385-700-235
Both	680	301GAS	99312-10M	99310KIT	9925020AJ 5/8	9925020AM 1/2	PARTIAL	385-700-235
Both	780	301GAS	99312-10M	99310KIT	9925020AP 11/16	9925020AL 17/32	NO SHUTTER	385-700-235
Nat Gas	880	601GAS	99520-10M	99310KIT1	9925020CB 1.05	—	N/A	385-700-235
Propane			99520-10MP	99310KIT1	—	9925020BD 19/32		
Nat Gas	980	601GAS	99520-12M	99538KIT	9947620AZ 15/16	—	N/A	385-700-235
Propane			99520-10MP	99310KIT2	—	9925020BR 21/32		
Nat Gas	1080	601GAS	99520-12M	99538KIT	9947620AR 1-1/8	—	N/A	385-700-235
Propane			99520-12MP	99538KIT2	—	9947620AX 3/4		
WEIL-MCLAIN 88 SERIES								
Nat Gas	488	601GAS	99520-12M	99538KIT	994760BZ 13/16	—	N/A	386-300-220
Propane			99520-10MP	99310KIT2	—	9925020AJ 5/8		386-300-220
Nat Gas	588	601GAS	99520-12M	99538KIT	9947620AR 1-1/8	—	N/A	386-300-220
Propane			99520-12MP	99538KIT2	—	9947620AX 3/4		386-300-220

Weil-McLain Series 1 & 2 ONLY. No Application for 88 Series 3 Boilers.

Fuel Type	Chassis			Air Tube Kit Includes Orifices			Air Shutter Setting	Front Plate (from Boiler Mfg.)
	Appliance	Burner	Chassis Part No.	Air Tube Kit Part No.	Natural Gas Orifice	Propane Orifice		Part No.
Burnham								
Nat Gas	V903A	301GAS	99312-10NV	99597KIT	9925020AH 31/64	—	FULL	602292311
Propane			99312-10NVP		—	9925020U 25/64		
Nat Gas	V904A	301GAS	99312-10NV	99597KIT	9952020AW 37/64	—	FULL	602292311
Propane			99312-10NVP		—	9925020X 7/16		
Nat Gas	V905A	601GAS	99520-10NV	99597KIT1	9925020BA 23/32	—	N/A	602292311
Propane			99520-10NVP		—	9925020BT 33/64		
Nat Gas	V906A	601GAS	99520-15NV	99600KIT	9947620CJ 1-1/16	—	N/A	602292311
Propane			99520-10NVP	99599KIT	—	9925020AJ 5/8		
Nat Gas	V907A	601GAS	99520-15NV	99600KIT1	9947620AR 1-1/8	—	N/A	602292311
Propane			99520-10NVP	99599KIT1	—	9952020BD 19/32		
Nat Gas	V908A	601GAS	99520-15NV	99600KIT1	9947620AZ 15/16	—	N/A	602292311
Propane			99520-10NVP	99599KIT1	—	9925020AP 11/16		

Note: V903A through V905A boilers require 8" extended front plate (if not already equipped) part no. 6022909

Contact Customer Service to confirm application prior to ordering. Some Burnham applications may have changed due to the DOE 2020 CPB efficiency standard.

PEERLESS SC/SCT								
Nat Gas	SC/SCT-05	301GAS	99312-10NV	99749BKIT	9925020AG 29/64	—	FULL	90604
Propane			99312-10NVP		—	9925020T 3/8		
Nat Gas	SC/SCT-06	301GAS	99312-10NV	99749AKIT	9925020AM 1/2	—	FULL	90604
Propane			99312-10NVP		—	9925020V 13/32		
Nat Gas	SC/SCT-07	301GAS	99312-10NV	99749KIT	9925020AV 35/64	—	FULL	90604
Propane			99312-10NVP		—	9925020X 7/16		
Nat Gas	SC/SCT-08	301GAS	99312-10NV	99749KIT	9925020BD 19/32	—	FULL	90604
Propane			99312-10NVP		—	9925020AG 29/64		
Nat Gas	SC/SCT-09	301GAS	99312-10NV	99733KIT	9925020BD 19/32	—	CENTER	90604
Propane			99312-10NVP		—	9925020AY 15/32		
Nat Gas	SC/SCT-10	301GAS	99312-10NV	99733KIT	9925020BR 21/32	—	CENTER	90604
Propane			99312-10NVP		—	9925020AM 1/2		
PEERLESS LC								
Nat Gas	LC-04	301GAS	99312-10NV	99581KIT	9925020BD 19/32	—	CENTER	S1049
Propane			99312-10NVP		—	9925020AG 29/64		
Nat Gas	LC-05R	301GAS	99312-10NV	99539KIT	9925020BR 21/32	—	CENTER	S1049
Propane			99312-10NVP		—	9925020AM 1/2		
Nat Gas	LC-05	301GAS	99312-10NV	99539KIT1	9925020BA 23/32	—	NONE	S1049
Propane			99312-10NVP		—	9925020AV 35/64		
Nat Gas	LC-06	601GAS	99520-15NV	99540KIT	9947620CD 1.38	—	N/A	S1049
Propane			99520-10NVP	99539KIT2	—	9925020BD 19/32		
Nat Gas	LC-07	601GAS	99520-15NV	99540KIT1	9947620CD 1.38	—	N/A	S1049
Propane			99520-10NVP	99539KIT3	—	9925020BR 21/32		

APPLIANCE SPECIFIC GAS

Fuel Type	Chassis			Air Tube Kit Includes Orifices			Air Shutter Setting	Front Plate (from Boiler Mfg.)
	Appliance	Burner	Chassis Part No.	Air Tube Kit Part No.	Natural Gas Orifice	Propane Orifice		Part No.
SMITH								
Nat Gas	19A-04	301GAS	99312-10NV	99728KIT	9925020AL 17/32	—	CENTER	3565
Propane			99312-10NVP		—	9925020V 13/32		
Nat Gas	19A-05	301GAS	99312-10NV	99528KIT	9925020AJ 5/8	—	NONE	3565
Propane			99312-10NVP		—	9925020AM 1/2		
Nat Gas	19A-06	301GAS	99312-10NV	99529KIT	9925020AN 25/32	—	NONE	3565
Propane			99312-10NVP		—	9925020AK 9/16		
Nat Gas	19A-07	601GAS	99520-15NV	99530KIT	9947620CD 1.38	—	N/A	3565
Propane			99520-10NVP	99529KIT1	—	9925020AJ 5/8		
Nat Gas	19A-08	601GAS	99520-15NV	99530KIT1	9947620AR 1-1/8	—	N/A	3565
Propane			99520-10NVP	99529KIT2	—	9925020AP 11/16		
WEIL-MCLAIN 80 SERIES								
Nat Gas	480	301GAS	99312-10NV	99311KIT	9925020AM 1/2	—	FULL	385-700-235
Propane			99312-10NVP		—	9925020T 3/8		
Nat Gas	580	301GAS	99312-10NV	99311KIT	9925020AK 9/16	—	PARTIAL	385-700-235
Propane			99312-10NVP		—	9925020X 7/16		
Nat Gas	680	301GAS	99312-10NV	99310KIT	9925020AJ 5/8	—	PARTIAL	385-700-235
Propane			99312-10NVP		—	9925020AM 1/2		
Nat Gas	780	301GAS	99312-10NV	99310KIT	9925020AP 11/16	—	NO SHUTTER	385-700-235
Propane			99312-10NVP		—	9925020AL 17/32		
Nat Gas	880	601GAS	99520-10NV	99310KIT1	9925020CB 1.05	—	N/A	385-700-235
Propane			99520-10NVP	99310KIT1	—	9925020BD 19/32		
Nat Gas	980	601GAS	99520-15NV	99538KIT	9947620AZ 15/16	—	N/A	385-700-235
Propane			99520-10NVP	99310KIT2	—	9925020BR 21/32		
Nat Gas	1080	601GAS	99520-15NV	99538KIT	9947620AR 1-1/8	—	N/A	385-700-235
Propane			99520-15NVP	99538KIT2	—	9947620AX 3/4		
WEIL-MCLAIN 88 SERIES								
Nat Gas	488	601GAS	99520-15NV	99538KIT	994760BZ 13/16	—	N/A	386-300-220
Propane			99520-10NVP	99310KIT2	—	9925020AJ 5/8		386-300-220
Nat Gas	588	601GAS	99520-15NV	99538KIT	9947620AR 1-1/8	—	N/A	386-300-220
Propane			99520-15NVP	99538KIT2	—	9947620AX 3/4		386-300-220

Weil-McLain Series 1 & 2 ONLY. No Application for 88 Series 3 Boilers.

Step 1. Select Burner Chassis (Check boiler insertion. For boilers with <4" insertion, spacer may be required)

Appliance	Input Gas MBH	Burner Model	Chassis Part No.	Front Mounting Plate Requires 8-1/2" opening (from Boiler Mfg)
-----------	---------------	--------------	------------------	--

Contact Customer Service to confirm application prior to ordering. Some Burnham applications may have changed due to the DOE 2020 CPB efficiency standard.

BURNHAM

V906A	1010	702GAS	50065V50	602292461
V907A	1198	702GAS	50065V50	602292461
V908A	1386	702GAS	50065V50	602292461
V909A	1674	801GAS	52600A	602292461
V911A	2136	801GAS	52600B	602292461
V912A	2367	801GAS	52600B	602292461

PEERLESS

LC-05	881	702GAS	50065V50	S-1109-1
LC-06	1077	702GAS	50065V50	S-1109-1
LC-07	1273	702GAS	50065V50	S-1109-1
LC-08	1469	702GAS	50065V50	S-1109-1
LC-09	1664	801GAS*	52600A	S-1109-1
LC-10	1860	801GAS*	52600A	S-1109-1
LC-11	2056	801GAS*	52600A	S-1109-1
LC-12	2252	801GAS*	52600B	S-1109-1
LCE-13	2464	801GAS*	52600B	S-1109-1

*Spacer plate required – For 801GAS, order Part Number 51610AS - \$123.33

SMITH

19A-6	931	702GAS	50065V50	3640
19A-7	1137	702GAS	50065V50	3640
19A-8	1342	702GAS	50065V50	3640
19A-9	1548	801GAS	52600A	3640
19A-10	1754	801GAS	52600A	3640
19A-11	1989	801GAS	52600A	3640
19A-12	2165	801GAS	52600B	3640

Weil-McLain Series 1 & 2 ONLY. No Application for 88 Series 3 Boilers.

WEIL-MCLAIN

780	935	702GAS	50065V50	J20911
880	1082	702GAS	50065V50	J20911
980	1230	702GAS	50065V50	J20911
1080	1378	702GAS	50065V50	J20911
1180	1526	801GAS	52600A	J20911
1280	1674	801GAS	52600A	J20911
488	1010	702GAS	50065V50	386-300-207
588	1357	702GAS	50065V50	386-300-207
688	1701	801GAS	52600A	386-300-207
788	2046	801GAS	52600A	386-300-207
888	2382	801GAS	52600B	386-300-207
988R	2482	801GAS	52600B	386-300-207

Step 2. Select Gas Train For 702Gas

Part No.	Gas Pressure	Max MBH	Description
99743G	< 5" WC	1,000	1 1/2" Gas Train for Low Pressure up to 1,000,000 BTUH, Standard Pressure up to 1,400,000 BTUH.
	> 5" WC	1,400	
99743J	< 5" WC	1,600	2" Gas Train for Low and Standard Pressure up to 1,600,000 BTUH.
	> 5" WC	1,600	

MASS CODE COMPLIANT TRAINS

99743H	< 5" WC	1,000	1 1/2" Gas Train for Low Pressure up to 1,000,000 BTUH, Standard Pressure up to 1,400,000 BTUH.
	> 5" WC	1,400	
99743K	< 5" WC	1,600	2" Gas Train for Low and Standard Pressure up to 1,600,000 BTUH
	> 5" WC	1,600	

VENTLESS GAS TRAINS WITH LOW AND HIGH PRESSURE SWITCHES

99743GNV	< 5" WC	1,000	1 1/2" Gas Train for Low Pressure up to 1,000,000 BTUH, Standard Pressure up to 1,400,000 BTUH.
	> 5" WC	1,400	
99743JNV	< 5" WC	1,600	2" Gas Train for Low and Standard Pressure up to 1,600,000 BTUH.
	> 5" WC	1,600	

Step 2. Select Gas Train For 801Gas

Part No.	Gas Pressure	Max MBH	Description
51572G	< 5" WC	1,400	1 1/2" Gas Train for Low Pressure up to 1,800,000 BTUH, Standard Pressure up to 2,100,000 BTUH.
	> 5" WC	1,800	
51572J	< 5" WC	1,800	2" Gas Train for Low and Standard Pressure up to 2,499,999 BTUH.
	> 5" WC	2,499	

MASS CODE COMPLIANT TRAINS

51572H	< 5" WC	1,400	1-1/2" Gas Train with Low and High Gas Pressure Switches
	> 5" WC	1,800	
51572K	< 5" WC	1,800	2" Gas Train with Low and High Gas Pressure Switches
	> 5" WC	2,499	

VENTLESS DUAL FUEL TRAINS

51601HV	< 5" WC	1,400	1 1/2" Gas Train for Low Pressure up to 1,800,000 BTUH, Standard Pressure up to 2,100,000 BTUH.
	> 5" WC	1,800	
51601KV	< 5" WC	1,800	2" Gas Train for Low and Standard Pressure up to 2,499,999 BTUH.
	> 5" WC	2,499	

IMPORTANT: Gas pressure can fluctuate based on local area demand. Select the gas train that corresponds to the lowest anticipated pressure. When in doubt, select the next larger train size or call Tech Support at 800-989-2275 for assistance.

Step 1. Select Burner Chassis (Check boiler insertion. For boilers with <4" insertion, spacer may be required)

Appliance	Input Oil GPM	Input Gas MBH	Burner Model	Chassis Part No.	Oil Spec Nozzle	Alternate Nozzle	Pump Pressure	Front Mounting Plate
-----------	---------------	---------------	--------------	------------------	-----------------	------------------	---------------	----------------------

Contact Customer Service to confirm application prior to ordering. Some Burnham applications may have changed due to the DOE 2020 CPB efficiency standard.

BURNHAM

V906A	7.00	1010	702G/O	99753V50	4.00 60P	N/A	100/300	602292461
V907A	8.30	1198	702G/O	99753V50	5.00 60P	N/A	100/300	602292461
V908A	9.60	1386	702G/O	99753V50	5.50 60P	N/A	100/300	602292461
V909A	11.60	1674	801G/O	51600A	5.50 45H	4.00 45H	150	602292461
V910A	13.20	1905	801G/O	51600A	6.50 45H	4.50 45H	150	602292461
V911A	14.80	2136	801G/O	51600B	6.00 45H	6.00 45H	150	602292461
V912A	16.40	2367	801G/O	51600B	7.00 45H	6.50 45H	150	602292461

PEERLESS

LC-05	6.10	881	702G/O	99747V50	3.50 45P	N/A	100/300	S-1109-1
LC-06	7.50	1077	702G/O	99747V50	4.50 45P	N/A	100/300	S-1109-1
LC-07	8.80	1273	702G/O	99747V50	5.00 45P	N/A	100/300	S-1109-1
LC-08	10.20	1469	702G/O	99747V50	6.00 45P	N/A	100/300	S-1109-1
LC-09	11.60	1664	801G/O	51600A*	5.50 45H	4.00 45H	150	S-1109-1
LC-10	12.80	1860	801G/O	51600A*	6.00 45H	4.50 45H	150	S-1109-1
LC-11	14.20	2056	801G/O	51600A*	6.00 45H	5.50 45H	150	S-1109-1
LC-12	15.60	2252	801G/O	51600B*	6.50 45H	6.00 45H	150	S-1109-1
LCE-13	17.00	2464	801G/O	51600B*	6.50 45H	7.00 45H	150	S-1109-1

*Spacer plate required – For 801G/O, order Part Number 51610AS - \$123.33

SMITH

19A-6	6.50	931	702G/O	99751V50	3.75 60P	N/A	100/300	3640
19A-7	6.90	1137	702G/O	99751V50	4.50 70B	N/A	100/300	3640
19A-8	9.30	1342	702G/O	99751V50	5.00 70B	N/A	100/300	3640
19A-9	10.80	1548	801G/O	51600A	5.50 45H	3.50 45H	150	3640
19A-10	12.20	1754	801G/O	51600A	5.50 45H	4.00 45H	150	3640
19A-11	13.60	1989	801G/O	51600A	5.50 45H	5.50 45H	150	3640
19A-12	15.00	2165	801G/O	51600B	6.00 45H	6.00 45H	150	3640

WEIL-McLAIN

Weil-McLain Series 1 & 2 ONLY. No Application for 88 Series 3 Boilers.

780	6.50	935	702G/O	99752V50	3.75 45P	N/A	100/300	J20911
880	6.50	1082	702G/O	99752V50	4.50 45P	N/A	100/300	J20911
980	8.50	1230	702G/O	99752V50	5.00 45P	N/A	100/300	J20911
1080	9.60	1378	702G/O	99752V50	5.50 45P	N/A	100/300	J20911
1180	10.60	1526	801G/O	51600A	5.50 45B	3.25 45B	150	J20911
1280	11.60	1674	801G/O	51600A	5.50 45B	4.00 45B	150	J20911
488	7.00	1010	702G/O	99752V50	4.00 70P	N/A	100/300	386-300-207
588	9.40	1357	702G/O	99752V50	5.50 60P	N/A	100/300	386-300-207
688	11.80	1701	801G/O	51600A	5.50 45B	4.50 45B	150	386-300-207
788	14.20	2046	801G/O	51600A	6.00 45B	5.50 45B	150	386-300-207
888	16.60	2382	801G/O	51600B	6.50 45B	7.00 45B	150	386-300-207
988R	17.20	2482	801G/O	51600B	6.50 45B	7.50 45B	150	386-300-207

Step 2. Select Gas Train For 702Gas

Part No.	Gas Pressure	Max MBH	Description
99743G	< 5" WC	1,000	1 1/2" Gas Train for Low Pressure up to 1,000,000 BTUH, Standard Pressure up to 1,400,000 BTUH.
	> 5" WC	1,400	
99743J	< 5" WC	1,600	2" Gas Train for Low and Standard Pressure up to 1,600,000 BTUH.
	> 5" WC	1,600	

MASS CODE COMPLIANT TRAINS

99743H	< 5" WC	1,000	1 1/2" Gas Train for Low Pressure up to 1,000,000 BTUH, Standard Pressure up to 1,400,000 BTUH.
	> 5" WC	1,400	
99743K	< 5" WC	1,600	2" Gas Train for Low and Standard Pressure up to 1,600,000 BTUH
	> 5" WC	1,600	

VENTLESS GAS TRAINS WITH LOW AND HIGH PRESSURE SWITCHES

99743GNV	< 5" WC	1,000	1 1/2" Gas Train for Low Pressure up to 1,000,000 BTUH, Standard Pressure up to 1,400,000 BTUH.
	> 5" WC	1,400	
99743JNV	< 5" WC	1,600	2" Gas Train for Low and Standard Pressure up to 1,600,000 BTUH.
	> 5" WC	1,600	

Step 2. Select Gas Train For 801Gas

Part No.	Gas Pressure	Max MBH	Description
51572G	< 5" WC	1,800	1 1/2" Gas Train for Low Pressure up to 1,800,000 BTUH, Standard Pressure up to 2,100,000 BTUH.
	> 5" WC	2,100	
51572J	< 5" WC	2,499	2" Gas Train for Low and Standard Pressure up to 2,499,999 BTUH.
	> 5" WC	2,499	

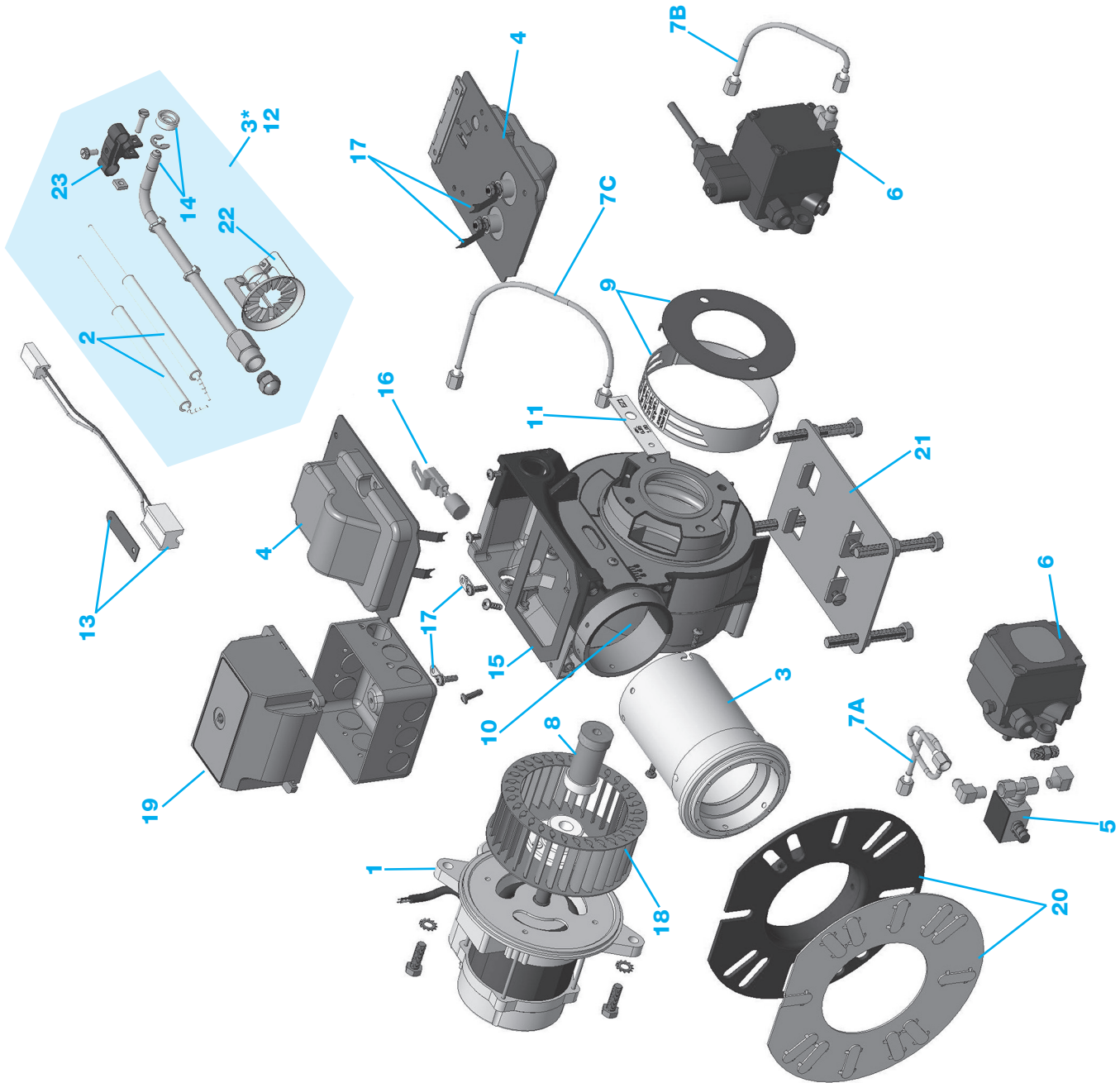
MASS CODE COMPLIANT TRAINS

51572H	< 5" WC	1,800	1-1/2" Gas Train with Low and High Gas Pressure Switches
	> 5" WC	2,100	
51572K	< 5" WC	2,499	2" Gas Train with Low and High Gas Pressure Switches
	> 5" WC	2,499	

VENTLESS DUAL FUEL TRAINS

51601HV	< 5" WC	1,800	1 1/2" Gas Train for Low Pressure up to 1,800,000 BTUH, Standard Pressure up to 2,100,000 BTUH.
	> 5" WC	2,100	
51601KV	< 5" WC	2,499	2" Gas Train for Low and Standard Pressure up to 2,499,999 BTUH.
	> 5" WC	2,499	

IMPORTANT: Gas pressure can fluctuate based on local area demand. Select the gas train that corresponds to the lowest anticipated pressure. When in doubt, select the next larger train size or call Tech Support at 800-989-2275 for assistance.



ITEM	PART NO.	DESCRIPTION	EZ1	EZ2	EZ3	SELECT
1	98022S	1/7HP PSC Motor, 48 M Frame	•	•	•	•
2	82750S	Electrode set (2), - 4", 5-3/4" OAL	•	•	•	•
	82768S	Electrode set (2), - 5", 6-3/4" OAL	•	•	•	•
	82776S	Electrode set (2), - 7", 8-3/4" OAL	•	•	•	•
	82784S	Electrode set (2), - 9", 10-3/4" OAL	•	•	•	•
	82792S	Electrode set (2), - 11", 12-3/4" OAL	•	•	•	•
3	78071S	EZ1 5" Air Tube/Combustion Head Assy	•			†
	78089S	EZ1 7" Air Tube/Combustion Head Assy	•			†
	78105S	EZ1 9" Air Tube/Combustion Head Assy	•			†
	78113S	EZ1 11" Air Tube/Combustion Head Assy	•			†
	84764S	EZ2/3 5" Air Tube/Combustion Head Assy	•	•	•	•
	84772S	EZ2/3 7" Air Tube/Combustion Head Assy	•	•	•	•
	84780S	EZ2/3 9" Air Tube/Combustion Head Assy	•	•	•	•
	84798S	EZ2/3 11" Air Tube/Combustion Head Assy	•	•	•	•
4	45000S	110V Universal Ignitor	•	•	•	•
	41000S0CAS	110V Ignitor on Baseplate	•	•	•	•
5	SVC10FFS	Oil Valve	•	•	•	•
	98289S	Oil Valve Kit with fittings	•	•	•	•
6	27813B20S	Fuel Unit A2VA-7116 B20	•	•	•	•
	98750B20S	Fuel Unit A2VA-3006 B20 with solenoid	•	•	•	•
	50050S	Fuel Unit OT245A 2 Step 120V/60HZ	•			
7	34397S	Oil line kit (incl. all oil lines)	•	•	•	•
	34470S	Oil line for Pump to Combustion Head	•	•	•	•
	34397S4	7A - Oil line kit 34397 (4 pack)	•	•	•	•
	34439S4	7B - Oil line kit 34439 (4 pack)	•	•	•	•
	34470S4	7C - Oil line kit 34470 (4 pack)	•	•	•	•
8	75564S	Fuel Unit Coupling	•	•	•	•
9	98055S	EZ1 Airband/Air Shutter Kit	•			•
	98087S	EZ2 Airband/Air Shutter Kit	•	•		•
	98096S	EZ3 Airband/Air Shutter Kit	•			•
10	98059AS	Augmentor, rivet & washer kit	•	•	•	•
11	81570S	Head bar kit (7 bars & screw)	•			
	84715S	Head bar kit (4 bars & screw)		•		
	86389S	Head bar kit (3 bars & screw)			•	

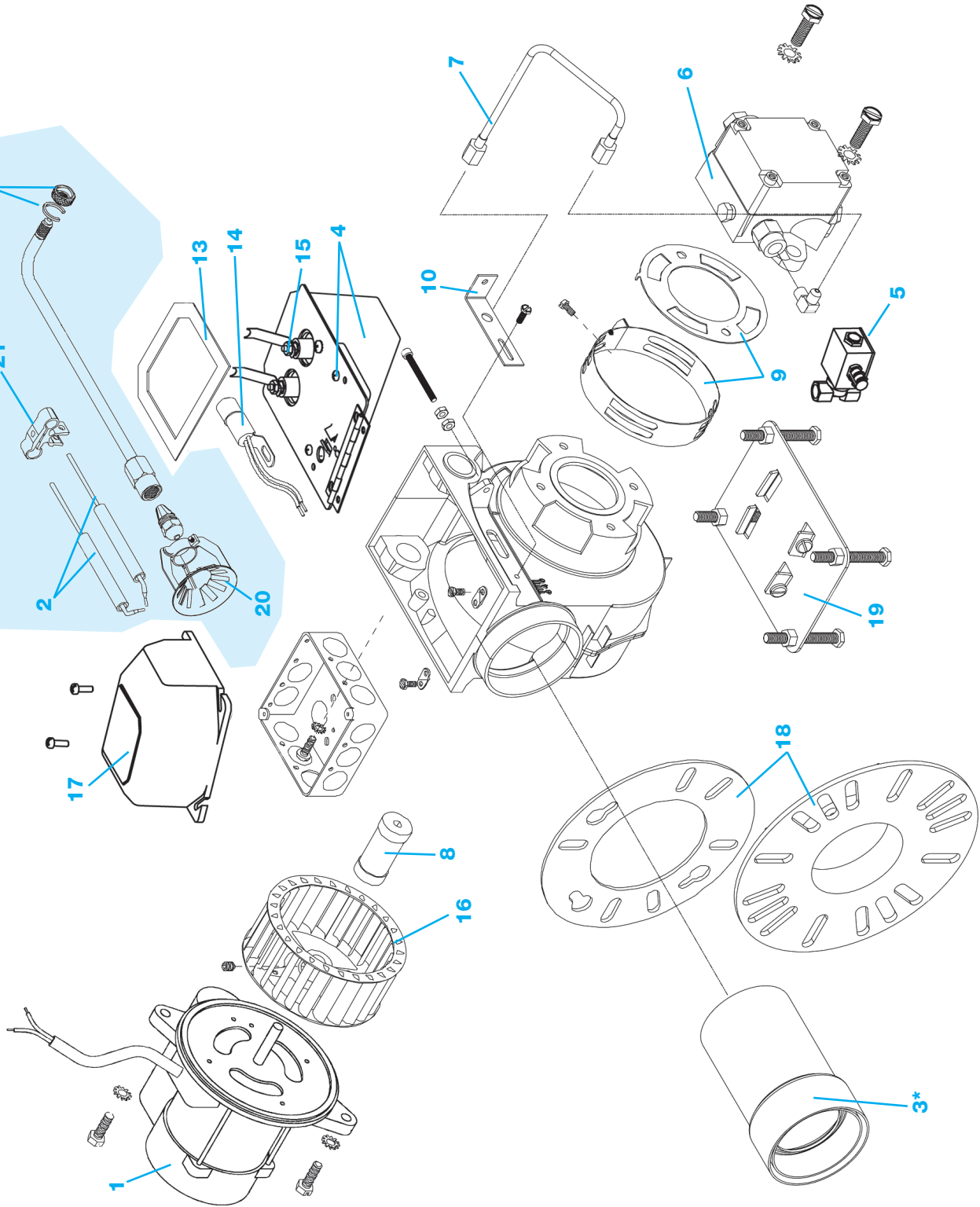
Parts List ■ Items that are shaded are considered stock items.

ITEM	PART NO.	DESCRIPTION	EZ1	EZ2	EZ3	SELECT
12	77941S	Combustion Head Assy 4", 6-3/4" OAL	•			
	77958S	Combustion Head Assy 5", 7-3/4" OAL	•	•	•	
	77966S	Combustion Head Assy 7", 9-3/4" OAL	•	•	•	•
	77974S	Combustion Head Assy 9", 11-3/4" OAL	•	•	•	•
	77982S	Combustion Head Assy 11", 13-3/4" OAL	•	•	•	•
13	66795S	Nozzle Line Heater Kit	•	•	•	•
14	50624S	E Clip & Thumb nut kit	•	•	•	•
15	40167S	Ignitor Baseplate Gasket	•	•	•	•
16	14407S0ES	CAD Cell Kit	•	•	•	•
17	41DTK01S	Universal Terminal Kit	•	•	•	•
18	77933S	Blower wheel / fan, 5-1/16" OD x 2" W, 1/2" BORE	•	•	•	•
19	70200S	Universal Primary w/ Display 70200	•	•	•	•
	48245S	Model 48245 Primary w/ Smart Ignition	•	•	•	•
	4020002S	Model 40200 Primary 30/15/30	•	•	•	•
	5020002S	Model 50200 Primary 30/15/30	•	•	•	•
	6020002S	Model 60200 Primary 15/15/15	•	•	•	•
20	81372S	Mounting Flange & Gasket	•	•	•	†
	82560S	Mounting Flange & Gasket 10-Pak	•	•	•	†
	50821S	Gasket Only 10-Pak	•	•	•	†
	50821AS	Flange Gasket Single Piece	•	•	•	†
21	23317S	Pedestal w/Hardware	•	•	•	•
22	77438S	Retention Ring Assy	•	•	•	•
23	23135S	Electrode Bracket w/screws and nut	•	•	•	•
24	PROTOTYPE	Residential Oil Replacement Parts Tote: Includes 70200S Control, Cad Cell Kit, 45000S Ignitor, 82792S Electrodes, EZ1 Head Bar Kit, Oil line kit, Nozzle line heater kit, EZ and 99FRD Retention Rings, Electrode Setting Gauges and E-Ring and Thumb nut kit.	•	•	•	
25	82628	Electrode Setting Gauge (not shown)	•	•	•	•

† Consult factory

48 **EZ66, 99FRD, 100CRD, 102CRD Oil Burners**

Note: Parts may not be exactly as shown in diagram.



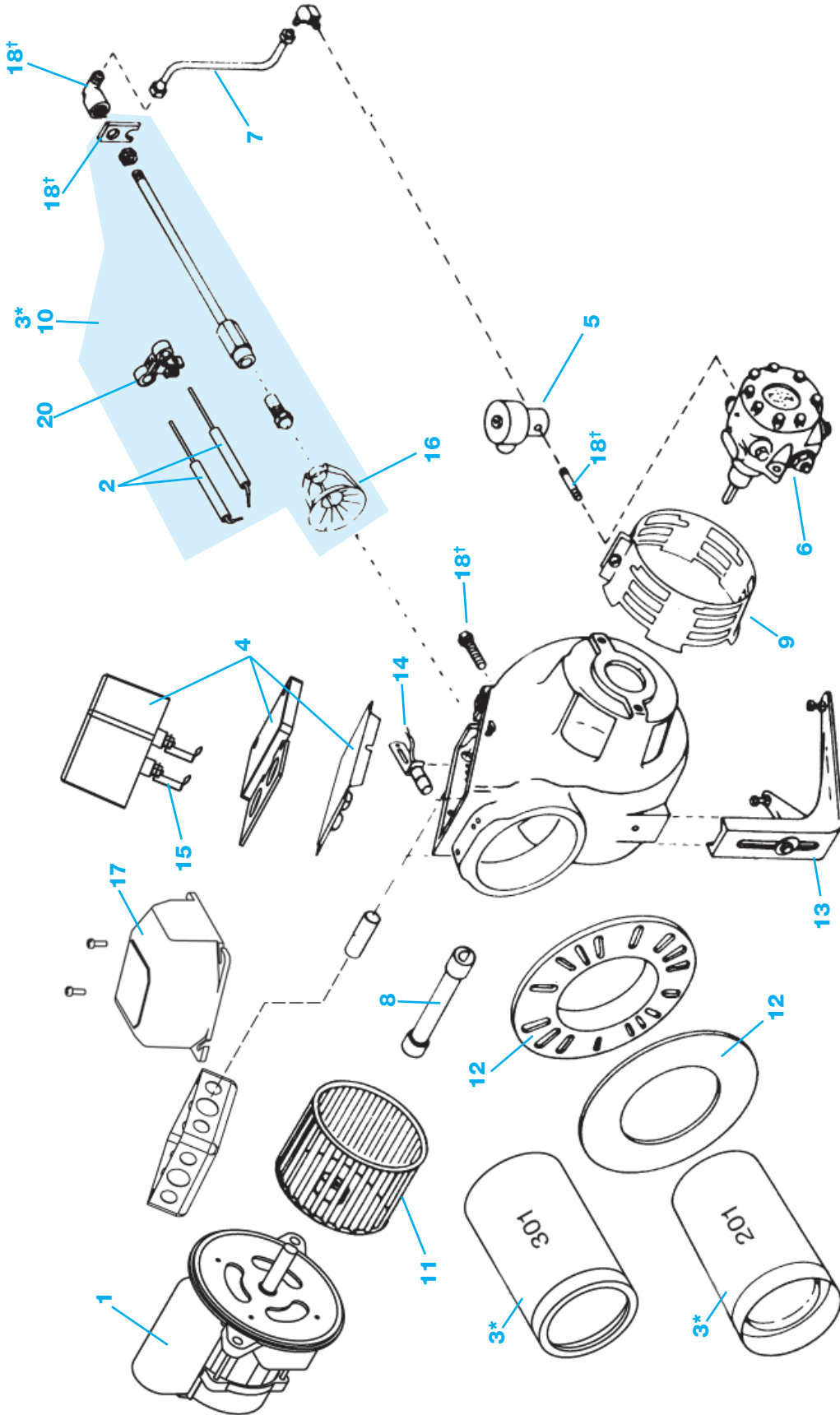
Parts List ■ Items that are shaded are considered stock items.

*3 includes selected air tube and combustion head assembly

ITEM	PART NO.	DESCRIPTION	EZ66	99FRD	100CRD	102CRD	
11	51805S	Combustion Head Assy 5", 8-1/8" OAL	•	•	•	•	
	51854S	Combustion Head Assy 7", 10-1/8" OAL	•	•	•	•	
	51896S	Combustion Head Assy 9", 12-1/8" OAL	•	•	•	•	
	51599S	Combustion Head Assy 11", 14-1/8" OAL	•	•	•	•	
	52316S	Combustion Head Assy 5", 8-1/8" OAL	•	•	•	•	
	52373S	Combustion Head Assy 7", 10-1/8" OAL	•	•	•	•	
	52472S	Combustion Head Assy 9", 12-1/8" OAL	•	•	•	•	
	52183S	Combustion Head Assy 11", 14-1/8" OAL	•	•	•	•	
	12	50624S	E Clip & Thumb nut kit	•	•	•	•
	13	40167S	Ignitor Baseplate Gasket	•	•	•	•
	14	14407S0ES	CAD Cell Kit	•	•	•	•
15	41DTK01S	Universal Terminal Kit	•	•	•	•	
	28605S	Blower wheel / fan 99FRD, 5-1/4" OD x 2" W, 1/2" BORE	•	•	•	•	
16	28506S	Blower wheel / fan 102CRD, 5-1/16" OD x 2-1/4" W, 1/2" BORE	•	•	•	•	
	70200S	Universal Primary w/ Display 70200	•	•	•	•	
17	48245S	Model 48245 Primary w/ Smart Ignition	•	•	•	•	
	4020002S	Model 40200 Primary 30/15/30	•	•	•	•	
	5020002S	Model 50200 Primary 30/15/30	•	•	•	•	
	6020002S	Model 60200 Primary 15/15/15	•	•	•	•	
18	23150S	Mounting Flange & Gasket	•	•	•	•	
	40287S	Gasket only	•	•	•	•	
19	23317S	Pedestal w/Hardware	•	•	•	•	
20	54981S	Retention Ring Assy 99/100	•	•	•	•	
	55061S	Retention Ring Assy 102CRD	•	•	•	•	
21	23135S	Electrode Bracket	•	•	•	•	
22	PROTOTYPE	Residential Oil Replacement Parts Kit: Includes 70200S Control, CAD cell kit, 45000S Ignitor, 82792S Electrodes, EZ1 Head Bar Kit, Oil line kit, Nozzle line heater kit, EZ and 99FRD Retention Rings, Electrode setting gauges and E-Ring and Thumb nut kit. (not shown)	•	•	•	•	
	76893	Electrode Setting Gauge (Not Shown)	•	•	•	•	

ITEM	PART NO.	DESCRIPTION	EZ66	99FRD	100CRD	102CRD
1	98022S	1/7HP PSC Motor, 48 M Frame	•	•	•	•
2	82768S	Electrode set (2), - 5", 6-3/4" OAL	•	•	•	•
	82776S	Electrode set (2), - 7", 8-3/4" OAL	•	•	•	•
	82784S	Electrode set (2), - 9", 10-3/4" OAL	•	•	•	•
	82792S	Electrode set (2), - 11", 12-3/4" OAL	•	•	•	•
3	99FRD/100CRD	5" Air Tube/Combustion Head Assy	•	•	•	•
	99FRD/100CRD	7" Air Tube/Combustion Head Assy	•	•	•	•
	99FRD/100CRD	9" Air Tube/Combustion Head Assy	•	•	•	•
	99FRD/100CRD	11" Air Tube/Combustion Head Assy	•	•	•	•
	102CRD	5" B Air Tube/Combustion Head Assy	•	•	•	•
	102CRD	7" B Air Tube/Combustion Head Assy	•	•	•	•
	102CRD	9" B Air Tube/Combustion Head Assy	•	•	•	•
	102CRD	11" B Air Tube/Combustion Head Assy	•	•	•	•
	102CRD	5" C Air Tube/Combustion Head Assy	•	•	•	•
	102CRD	7" C Air Tube/Combustion Head Assy	•	•	•	•
102CRD	9" C Air Tube/Combustion Head Assy	•	•	•	•	
102CRD	11" C Air Tube/Combustion Head Assy	•	•	•	•	
4	41000S	110V Ignitor	•	•	•	•
	41000S0CAS	110V Ignitor on Baseplate	•	•	•	•
5	SVC10FFS	Oil Valve	•	•	•	•
	98289S	Oil Valve Kit with fittings	•	•	•	•
6	27813B20S	Fuel Unit A2VA-7116 B20	•	•	•	•
	98750B20S	Fuel Unit A2VA-3006 B20 with solenoid	•	•	•	•
	23234S	Fuel Unit A2VA-7916	•	•	•	•
	50050S	Fuel Unit OT245A 2 Step 120V/ 60HZ	•	•	•	•
7	34397S	Oil line kit (incl. all oil lines)	•	•	•	•
	34397S4	Oil line kit 34397 (4 pack)	•	•	•	•
	34439S4	Oil line kit 34439 (4 pack)	•	•	•	•
	34470S4	Oil line kit 34470 (4 pack)	•	•	•	•
	75564S	Fuel Unit Coupling	•	•	•	•
9	98100S	99FRD/100CRD Air Band Shutter Single Kit	•	•	•	•
	98101S	99FRD/100CRD/102CRD Air Band Shutter Dual Kit	•	•	•	•
10	5489001S	Nozzle Line adjusting slide	•	•	•	•
	98115S	EZ66 Head Bar Kit	•	•	•	•

Parts List ■ Items that are shaded are considered stock items.



50 **201-301 Oil Burner**

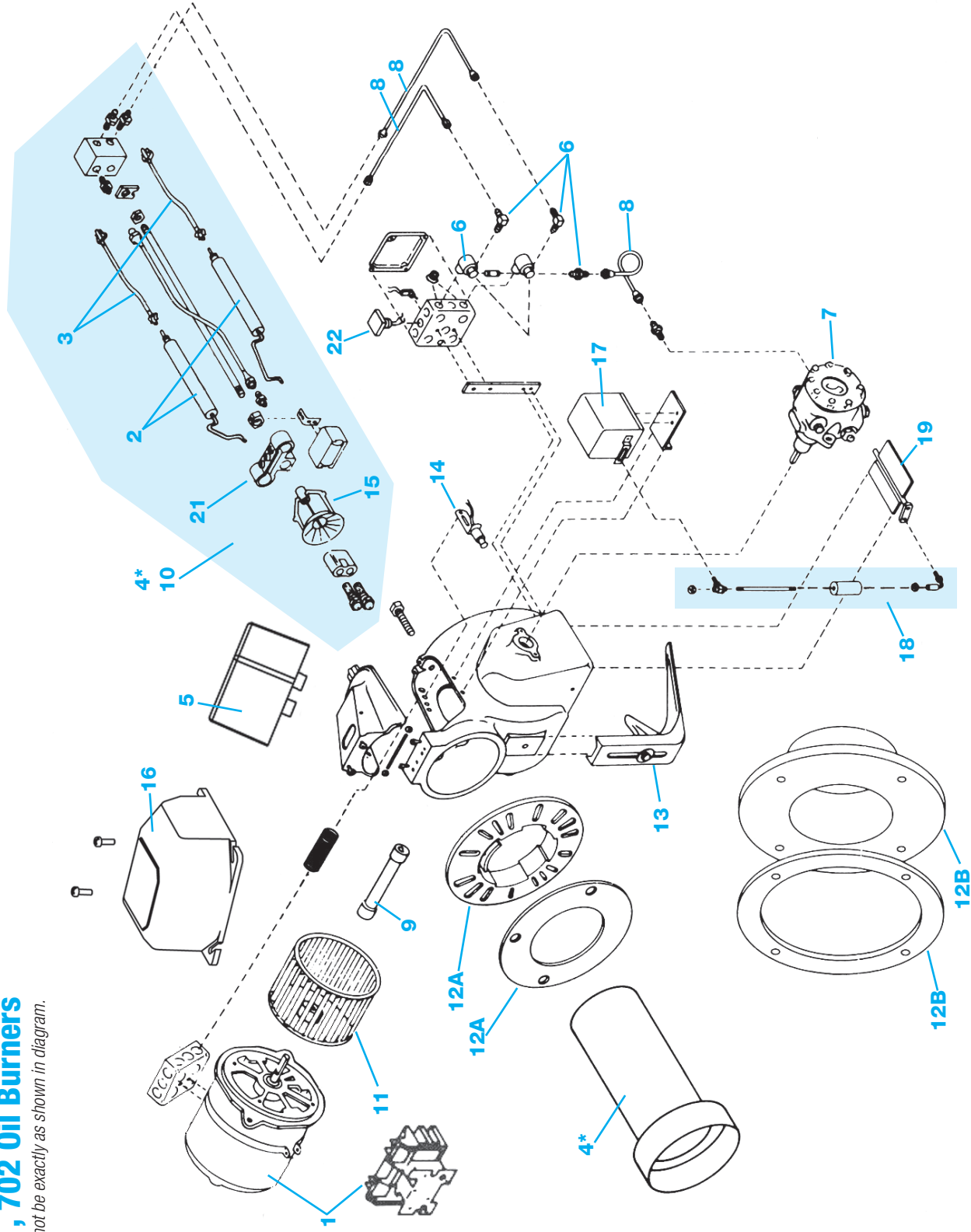
Note: Parts may not be exactly as shown in diagram.

*3 includes selected air tube and combustion head assembly
†18 includes multiple parts

ITEM	PART NO.	DESCRIPTION	201CRD	301CRD
7	34785S	Oil line kit (incl. all oil lines)	•	•
8	28720S	Fuel Unit Coupling	•	•
9	47001S	201/301CRD 4-slot Air Band	•	•
10	54155S	7" Nominal, 16-3/4" OAL Combustion Head Assy	•	•
	54205S	9" Nominal, 18-3/4" OAL Combustion Head Assy	•	•
	53975S	11" Nominal, 20-3/4" OAL Combustion Head Assy	•	•
	54031S	15" Nominal, 24-5/16" OAL Combustion Head Assy	•	•
	55574S	6" Nominal 16-3/4" OAL Combustion Head Assy	•	•
	55616S	8" Nominal 18-3/4" OAL Combustion Head Assy	•	•
	55434S	10" Nominal 20-3/4" OAL Combustion Head Assy	•	•
	55491S	14" Nominal 24-3/4" OAL Combustion Head Assy	•	•
11	28563S	Blower wheel/ fan, 5-3/4" OD x 4" W, 1/2" BORE	•	•
12	23259S	4" Universal Flange & Gasket	•	•
	23184S	4" Pressure Flange & Gasket	•	•
13	23358S	Pedestal w/ hardware	•	•
14	14407S0ES	CAD Cell Kit	•	•
15	41DTK01S	Universal Ignitor Terminal kit	•	•
16	55418S	Retention Ring Assy 201CRD	•	•
	55715S	Retention Ring Assy 3010CRD	•	•
17	70200S	Universal Primary w/ Display 70200	•	•
	4020002S	Model 40200 Primary 30/15/30	•	•
	5020002S	Model 50200 Primary 30/15/30	•	•
	6020002S	Model 60200 Primary 15/15/15	•	•
18	2301KITS	Hardware Kit (Yoke, CH elbow, OV Nip, CH Adj screw)	•	•
19	47035S	Pressure Augmentor (not shown)	•	•
20	59881S	Electrode Bracket	•	•

ITEM	PART NO.	DESCRIPTION	201CRD	301CRD
1	98630S	1/4 hp, 120V, 60HZ, 48N Frame Motor	•	•
2	82776S	Electrode Set (2), 7/16" Nominal, Approx. 8-1/2" OAL	•	•
	82784S	Electrode Set (2), 9/8" Nominal, Approx. 10-3/4" OAL	•	•
	82792S	Electrode Set (2), 11/10" Nominal, Approx. 12-1/2" OAL	•	•
	82818S	Electrode Set (2), 15/14" Nominal, Approx. 16-1/2" OAL	•	•
	82826S	Electrode Set (2), 18/17" Nominal, Approx. 19-1/2" OAL	•	•
3	22046S	201CRD 7" Air Tube/Combustion Head Assy	•	•
	22053S	201CRD 9" Air Tube/Combustion Head Assy	•	•
	22012S	201CRD 11" Air Tube/Combustion Head Assy	•	•
	22020S	201CRD 15" Air Tube/Combustion Head Assy	•	•
	22293S	301CRD B-Style 6" Air Tube/Combustion Head Assy	•	•
	22327S	301CRD B-Style 8" Air Tube/Combustion Head Assy	•	•
	22202S	301CRD B-Style 10" Air Tube/Combustion Head Assy	•	•
	22236S	301CRD B-Style 14" Air Tube/Combustion Head Assy	•	•
	22442S	301CRD C-Style 6" Air Tube/Combustion Head Assy	•	•
	22475S	301CRD C-Style 8" Air Tube/Combustion Head Assy	•	•
22350S	301CRD C-Style 10" Air Tube/Combustion Head Assy	•	•	
22384S	301CRD C-Style 14" Air Tube/Combustion Head Assy	•	•	
4	41000S	110V Ignitor	•	•
	41000S0SC	110V Ignitor on Baseplate	•	•
5	SVC10FFS	Oil Valve	•	•
	98289S	Oil Valve Kit with fittings	•	•
6	23234S	Fuel Unit, 1 Stage, A2YA-7916 100PSI	•	•
	74443S	Fuel Unit, 1 Stage, NYC, A2YA-7916 100PSI	•	•
	74443HPS	Fuel Unit, 1 Stage, NYC, A2YA-7916 150PSI	•	•
	23267S	Fuel Unit, 2 Stage, B2YA-8916 100PSI	•	•
	74459S	Fuel Unit, 2 Stage, NYC, B2YA-8916 100PSI	•	•
74559HPAS	Fuel Unit, 2 Stage, NYC, B2YA-8916 140PSI	•	•	
74559HPS	Fuel Unit, 2 Stage, NYC, B2YA-8916 150PSI	•	•	

Parts List ■ Items that are shaded are considered stock items.



52 601, 701, 702 Oil Burners

Note: Parts may not be exactly as shown in diagram.

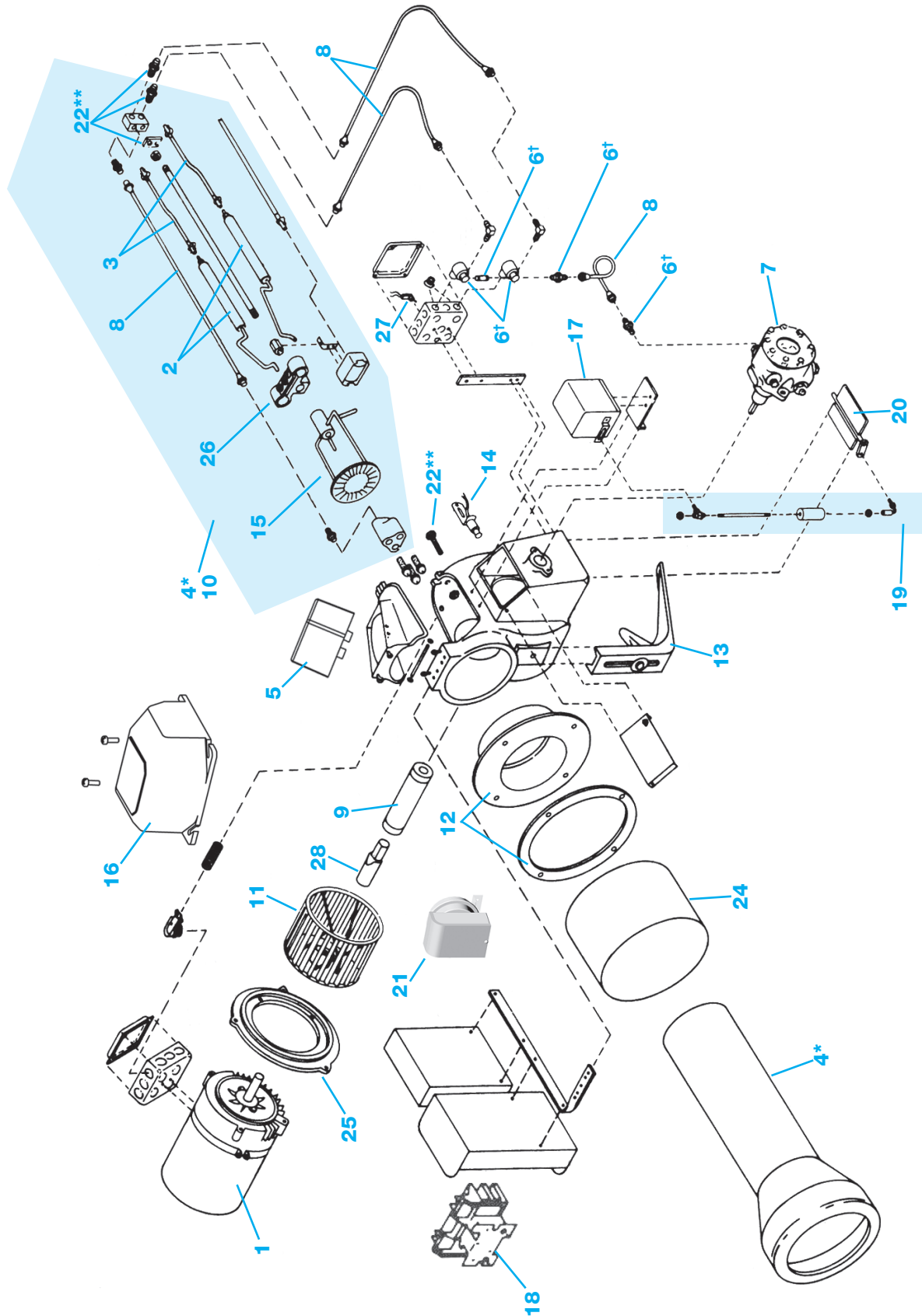
Parts List ■ Items that are shaded are considered stock items.

*4 includes selected air tube and combustion head assembly

ITEM	PART NO.	DESCRIPTION	601CRD	701CRD	702CRD
10	56416S	10" Nominal 20-3/4" OAL Combustion Head Assy	•		
	56440S	12" Nominal 22-3/4" OAL Combustion Head Assy	•		
	56473S	14" Nominal 24-3/4" OAL Combustion Head Assy	•		
	57349S	10" Nominal 20-3/4" OAL Combustion Head Assy		•	
	57539S	12" Nominal 22-3/4" OAL Combustion Head Assy		•	
	57596S	14" Nominal 25-3/4" OAL Combustion Head Assy		•	
	57737S	10" Nominal 20-3/4" OAL Combustion Head Assy			•
11	98857S	Blower Wheel Only, 6 1/2" OD x 3 3/4" W, 1/2" Bore	•	•	•
	98857KITS	Blower Wheel, Coupling, Augmentor, 6-1/2" OD x 3-3/4" W, 1/2" Bore	•	•	•
12A	23259S	4" Universal Flange & Gasket	•	•	•
	23184S	4" Pressure Flange & Gasket	•	•	•
	59444UWS	4" Pressure Flange & Gasket - Ultra Violet (not shown)	•	•	•
13	23382S	Pedestal w/ hardware	•	•	•
14	14407S0ES	CAD Cell Kit	•	•	•
15	56580S	Retention Ring Assy 601CRD	•		
	56697S	Retention Ring Assy 701CRD		•	
	56747S	Retention Ring Assy 702CRD			•
16	70200S	Universal Primary w/ Display 70200	•	•	•
	4020002S	Model 40200 Primary 30/15/30	•	•	•
	5020002S	Model 50200 Primary 30/15/30	•	•	•
	6020002S	Model 60200 Primary 15/15/15	•	•	•
17	35806S	Damper Motor - M436A		•	•
	51317S	Damper Motor SON71		•	•
	51527S	Damper Motor Bracket SON7		•	•
	51512S	Relay SPDT- NO		•	•
18	22871S	Damper Motor Linkage Kit - Honeywell		•	•
	51542S	Damper Motor Linkage Arm w/swivel - Siemens		•	•
19	47407S	Air Shutter Assembly	•		
	48108S	Air Shutter Assembly		•	
20	6702KITS	Hardware Kit (54916, 29694, 47167, 29892, 29728)	•	•	•
21	59881S	Electrode Bracket	•	•	•
22	35741S	4 Second Time Delay	•	•	•
	51543S	Time Delay set @ 15 Seconds		•	•

ITEM	PART NO.	DESCRIPTION	601CRD	701CRD	702CRD
1	27706S	1/2 hp, 115/230V, 60HZ, 1 Phase, 3450 rpm Motor	•	•	•
	35824S	Motor Contactor 20 AMP R4242B1005	•	•	•
2	98507S	Electrode Set (2), Approx. 9-1/4" OAL	•	•	•
3	56069S	Ignition Wire 9-1/4" OAL, for Nominal 12" Air Tube (2 req'd)	•	•	•
	56036S	Ignition Wire 10-3/4" OAL for Nominal 14" Air Tube (2 req'd)	•	•	•
	56085S	Ignition Wire 8-3/8" OAL, for Nominal 10" Air Tube (2 req'd)	•	•	•
4	22517S	601CRD 10" Standard Air Tube/Combustion Head Assy	•		
	22541S	601CRD 12" Standard Air Tube/Combustion Head Assy	•		
	22574S	601CRD 14" Standard Air Tube/Combustion Head Assy	•		
	22632S	701CRD 10" Standard Air Tube/Combustion Head Assy		•	
	22665S	701CRD 12" Standard Air Tube/Combustion Head Assy		•	
	22699S	701CRD 14" Standard Air Tube/Combustion Head Assy		•	
5	68650S	702CRD 10" Standard Air Tube/Combustion Head Assy			•
	41000S	110V Ignitor	•	•	•
	41000S0LC	110V Ignitor on Baseplate	•	•	•
6	40857S	Instant Oil Valve 32Z0071TSCV	•		
	41004S	Instant Oil Valve 32Z0078TSCV 3 Way	•	•	•
	61150KITS	Oil Valve Fitting Kit (44560, 29678, 44461 (.047), 44545, 29694, 44446 (.073))	•	•	•
7	74450S	Fuel Unit, 2 Stage, NYC, J4PB-B1000G	•		
	74468S	Fuel Unit, 2 Stage, NYC, J4PB-B1000G		•	
	23556S	Fuel Unit, 2 Stage, B2TA-8851			•
	74476S	Fuel Unit, 2 Stage, NYC, B2TA-8851 100/300PSI			•
	98042S	Fuel Unit, 2 Stage, B2TA-8260		•	
	98127S	Fuel Unit, 2 Stage, NYC, B2TA-8260		•	
98126S	Fuel Unit, 2 Stage, NYC, B2TA-8260			•	
8	75291S	Oil line kit	•	•	•
9	28738S	Coupling 1/2" ID x 7/16" ID x 4 7/8" L, H or J Pump	•	•	
	28761S	Coupling 1/2" ID x 5/16" ID x 6 11/32" L, B Pump	•	•	
	98856S	Coupling 1/2" ID x 5/16" ID x 6 1/8" L, B Pump		•	•

Parts List ■ Items that are shaded are considered stock items.



REPLACEMENT PARTS
54 801, 1050 & 1150 Oil Burners

Note: Parts may not be exactly as shown in diagram.

Parts List ■ Items that are shaded are considered stock items.

*4 includes selected air tube and combustion head assembly
16 includes multiple parts **22 includes multiple parts

ITEM	PART NO.	DESCRIPTION	801CRD	1050FFD	1150FFD
12	23283S	5" Universal Flange & Gasket	•	•	•
	23218S	5" Pressure Flange & Gasket	•	•	•
	59576S	5" Pressure Flange & Gasket – For use with Ultra Violet Control	•	•	•
	59550S	Flange/Gasket for use with Ultra Violet Control	•	•	•
	59592S	Flange/Gasket for Forced Draft	•	•	•
59618S	Flange/Gasket for use with Ultra Violet Control	•	•	•	
13	23382S	Pedestal w/ hardware	•	•	•
14	1440750ES	CAD Cell Kit	•	•	•
15	56812S	Retention Ring Assy 801CRD	•	•	•
	55210S	Retention Ring Assy 1050FFD	•	•	•
	55269S	Retention Ring Assy 1150FFD	•	•	•
	70200S	Universal Primary W/ Display 70200*	•	•	•
16	502002S	Model 50200 Primary 30/15/30*	•	•	•
	602002S	Model 60200 Primary 15/15/15*	•	•	•
	99822S	EMX43UV – Control Set Honeywell RM7840L	•	•	•
	99822CS	EMX43UVSC – Control Set Honeywell RM7840L	•	•	•

*Camot use on burners firing 20GPH or greater

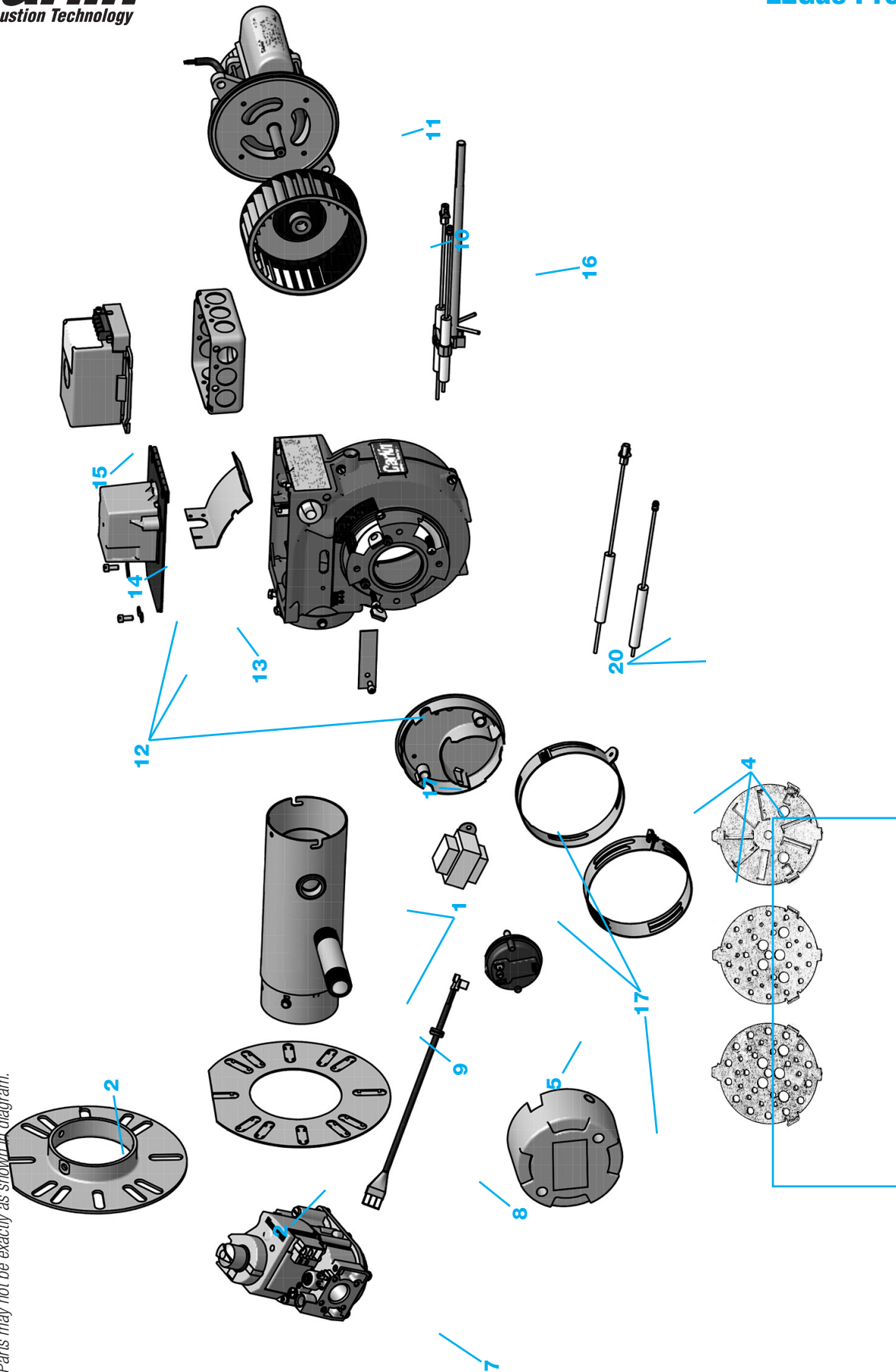
17	35808S	Damper Motor – M436A	•	•	•
	51317S	Damper Motor S0N71	•	•	•
	51527S	Damper Motor Bracket S0N7	•	•	•
	51512S	Relay SPDT-NO	•	•	•
18	35824S	Motor Contactor 20 AMP R4242B1005	•	•	•
	35840S	Motor Contactor 30 AMP R4243B1004	•	•	•
	97990	Motor Contactor 32 AMP DP3030B5003 3PH - (For Marathon Motor ONLY)	•	•	•
19	22889S	Damper Motor Linkage Kit - Honeywell	•	•	•
	51541S	Damper Motor Linkage Arm w/swivel - Siemens	•	•	•
20	48504S	Air Shutter Assembly**	•	•	•
21	35881S	Air Flow Switch Kit	•	•	•
22	81150KITS	Hardware Kit (includes 5-4916,47167,29728,29892)	•	•	•
23	97203S	Auxiliary Switch 0607B-1067	•	•	•
24	61820S	Spacer 4" Long	•	•	•
	61838S	Spacer 5" Long	•	•	•
	61879S	Spacer 4" Long	•	•	•
	61887S	Spacer 5" Long	•	•	•
61895S	Spacer 6" Long	•	•	•	
25	46771S	Motor Mounting Ring	•	•	•
26	59881S	Electrode bracket with screws	•	•	•
27	33910S	Toggle Switch (Not shown)	•	•	•
28	34207S	Shaft Extension only	•	•	•
29	51543S	Time delay Set @ 15S Service	•	•	•

ITEM	PART NO.	DESCRIPTION	801CRD	1050FFD	1150FFD
1	27730S	Motor: 3/4HP 115/208-230V 60HZ, 1 Phase, 3450 RPM	•	•	•
	27748S	Motor: 3/4HP 115/208-230V 60HZ, 3 Phase, 3450 RPM - *Contains Motor contactor and enclosure that will need to be replaced to protect against thermal overload per UL req.*	•	•	•
	51654S	Motor: 3/4HP 115/208-230V 60HZ, 3 Phase, 3450 RPM - Wegman replacement for same	•	•	•
	27516S	Motor: 1HP 115/208-230V 60HZ, 1 Phase, 3450 RPM	•	•	•
	27532S	Motor: 1 HP 208-230V/460V 60HZ, 3 Phase, 3450 RPM - *Contains Motor contactor and enclosure that will need to be replaced to protect against thermal overload per UL req.*	•	•	•
	51670S	Motor: 1HP 208-230V/460V 60HZ, 3 Phase 3450 RPM - Wegman replacement for same	•	•	•
	27567S	Motor: 1 1/2HP 115/208-230V 60HZ, 1 Phase, 3450 RPM	•	•	•
	27565S	Motor: 1 1/2HP 115/208-230V 60HZ, 3 Phase, 3450 RPM - *Contains Motor contactor and enclosure that will need to be replaced to protect against thermal overload per UL req.*	•	•	•
	51675S	Motor: 1 1/2HP 208-230/460V 60HZ, 3 Phase, 3450 RPM - Wegman replacement for same	•	•	•
	98507S	Electrode Set of 2, Approx. 9 1/4" OAL	•	•	•
2	56069S	Ignition Wire: 9-1/4" OAL for Nominal 10" Air Tube (2 req'd)	•	•	•
	56127S	Ignition Wire: 10-1/8" OAL for Nominal 12" Air Tube (2 req'd)	•	•	•
	56135S	Ignition Wire: 11-5/8" OAL for Nominal 15" Air Tube (2 req'd)	•	•	•
	55725S	Ignition Wire: 12-1/4" OAL (2 req'd)	•	•	•
	22756S	801CRD 10" Standard Air Tube/Combustion Head Assy	•	•	•
3	22780S	801CRD 12" Standard Air Tube/Combustion Head Assy	•	•	•
	22814S	801CRD 15" Standard Air Tube/Combustion Head Assy	•	•	•
	45328KIT	18-1/2" OAL Air Tube/Combustion Head Assy & Flame Funnel Assy	•	•	•
	45344KIT	18-1/2" OAL Air Tube/Combustion Head Assy & Flame Funnel Assy used with UV and infra-red scanners	•	•	•
	45393KIT	15-3/8" OAL Air Tube/Combustion Head Assy & Flame Funnel Assy	•	•	•
4	45443KIT	15-3/8" OAL Air Tube/Combustion Head Assy & Flame Funnel Assy used with UV and infra-red scanners	•	•	•
	41000S	110V Ignitor	•	•	•
	41000S0LC	110V Ignitor on Baseplate	•	•	•
	41004S	Instant Oil Valve 3220078TSCV 3 Way	•	•	•
	40600S	Instant Oil Valve 3220027TSCV 3 Way (2 required)	•	•	•
5	61150KITS	Oil Valve Fitting Kit (44560, 29678, 44461, (047), 44545, 29694, 44446, (073))	•	•	•
	98042S	Fuel Unit, 2 Stage, B27A-8260	•	•	•
	98126S	Fuel Unit, 2 Stage, B27A-8260, NYC	•	•	•
	23507S	Fuel Unit, 2 Stage, J4PB-B1000G	•	•	•
	74484S	Fuel Unit, 2 Stage, NYC, J4PB-B1000G (150PSI)	•	•	•
6	74482S	Fuel Unit, 2 Stage, NYC, J4PB-B1000G (100PSI)	•	•	•
	34785KITS	Oil line kit (incl. all oil lines)	•	•	•
	98229S	Coupling: 1/2" ID x 5/16" OD x 6-1/2" L, B Pump	•	•	•
	28779S	Coupling: 1/2" ID x 7/16" ID x 5-13/16" L, H or J Pump	•	•	•
	58032S	10" Nominal 22-1/4" OAL Combustion Head Assy	•	•	•
7	58081S	12" Nominal 24-1/4" OAL Combustion Head Assy	•	•	•
	58123S	15" Nominal 27-1/4" OAL Combustion Head Assy	•	•	•
	51961S	Standard 27-1/2" OAL Combustion Head Assy	•	•	•
	52019S	Standard 27-1/2" OAL Combustion Head Assy	•	•	•
	28548S	Blower Wheel/Fan: 7" OD x 5 W, 5/8" Bore	•	•	•
28555S	Blower Wheel/Fan: 7-5/8" OD x 5" W, 5/8" Bore	•	•	•	

Parts List ■ Items that are shaded are considered stock items.

56 EZGas Pro Burners

Note: Parts may not be exactly as shown in diagram.

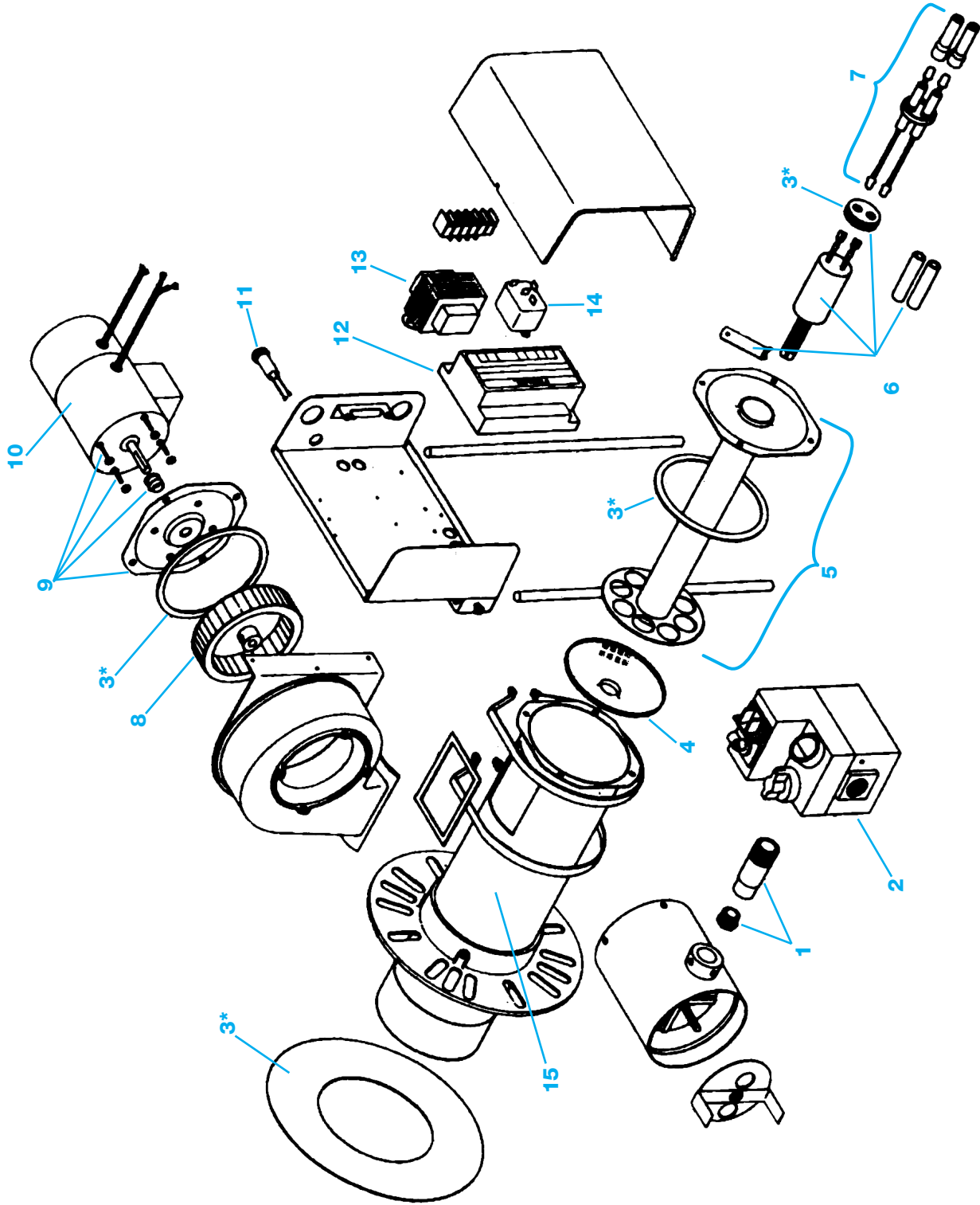


ITEM	PART NO.	DESCRIPTION
1	99392AKITS	10" Air Tube Kit, A Diffuser w/ Field Drilled Orifice
	99392BKITS	10" Air Tube Kit, B Diffuser w/ Field Drilled Orifice
	99392CKITS	10" Air Tube Kit, 9-Slot Diffuser w/ Field Drilled Orifice
	99392DKITS	12" Air Tube Kit, A Diffuser w/ Field Drilled Orifice
	99392EKITS	12" Air Tube Kit, B Diffuser w/ Field Drilled Orifice
	99392FKITS	12" Air Tube Kit, 9-Slot Diffuser w/ Field Drilled Orifice
	99392GKITS	14" Air Tube Kit, A Diffuser w/ Field Drilled Orifice
	99392HKITS	14" Air Tube Kit, B Diffuser w/ Field Drilled Orifice
	99392NKITS	14" Air Tube Kit, 9-Slot Diffuser w/ Field Drilled Orifice
	99392SKITS	16" Air Tube Kit, A Diffuser w/ Field Drilled Orifice
2	50833AS	Flange/Gasket Kit
	50821AS	Flange Gasket Single Piece
3	50821S	Flange Gasket 10 pack
	GSKTKIT1	EZ Gasket Seal Kit
4	50808KITS	Full Firing Rate Kit – A, B & 9S Diffuser + 2 Airbands
5	98522S	Air Flow Switch 120 Volt
	50806S	Air Flow Switch 24 Volt
6	98554S	Blower sensing lines kit – Only used on EZGAS 120V version (not shown)
7	50824S	Gas valve 24 volt - VR8305M
	98523S	Gas valve 120 volt - VR8305M
8	50819AS	Gas valve power harness (EZGas Pro only)
9	9938440XX	Field drilled orifice with 3/32 pilot hole - 3/4" x 4"

Parts List ■ Items that are shaded are considered stock items.

ITEM	PART NO.	DESCRIPTION
10	77933S	Blower wheel, 5- 1/16" OD x 2" W, 1/2" BORE
11	98022S	Motor PSC 1/7HP (Can be used on gas same as oil. Replaces 98629S)
12	98282AS	Hardware kit for EZGAS/EZGAS PRO
13	98498S	Hinged cover plate for Ignitor
14	4180002S1	Ignitor for EZGAS & EZGAS PRO
15	60200FRS	Primary Control Microprocessor Flame Rod
16	98572AS	Ignitor electrode/flame rod assembly 10"
	98572BS	Ignitor electrode/flame rod assembly 12"
	98572CS	Ignitor electrode/flame rod assembly 14"
	98572DS	Ignitor electrode/flame rod assembly 16"
	98572ES	Ignitor electrode/flame rod assembly 18"
17	50822S	Transformer EZGAS PRO
18	GPROTOTOTES	EZGAS PRO Burner Service kit Tote for PRO burners (not shown)
	EZGASTOTES	EZGAS Burner Service kit Tote for 120V burners (not shown)
19	99017S	Test Kit – Includes FR Test Jack & Spark Tester (not shown)
20	98433AS	Electrode/ Flame Rod for 10" EZGAS OAL = 11¼"
	98433BS	Electrode/ Flame Rod for 12" EZGAS OAL = 12¼"
	98433CS	Electrode/ Flame Rod for 14" EZGAS OAL = 14¼"
	98433DS	Electrode/ Flame Rod for 16" EZGAS
98433ES	Electrode/ Flame Rod for 18" EZGAS	
21	EZGFRWIRES	EZGas Flame Rod Wire (not shown)

NOTE: EZGas Service Kit Totes – see page 74



58 G3B Gas Burner

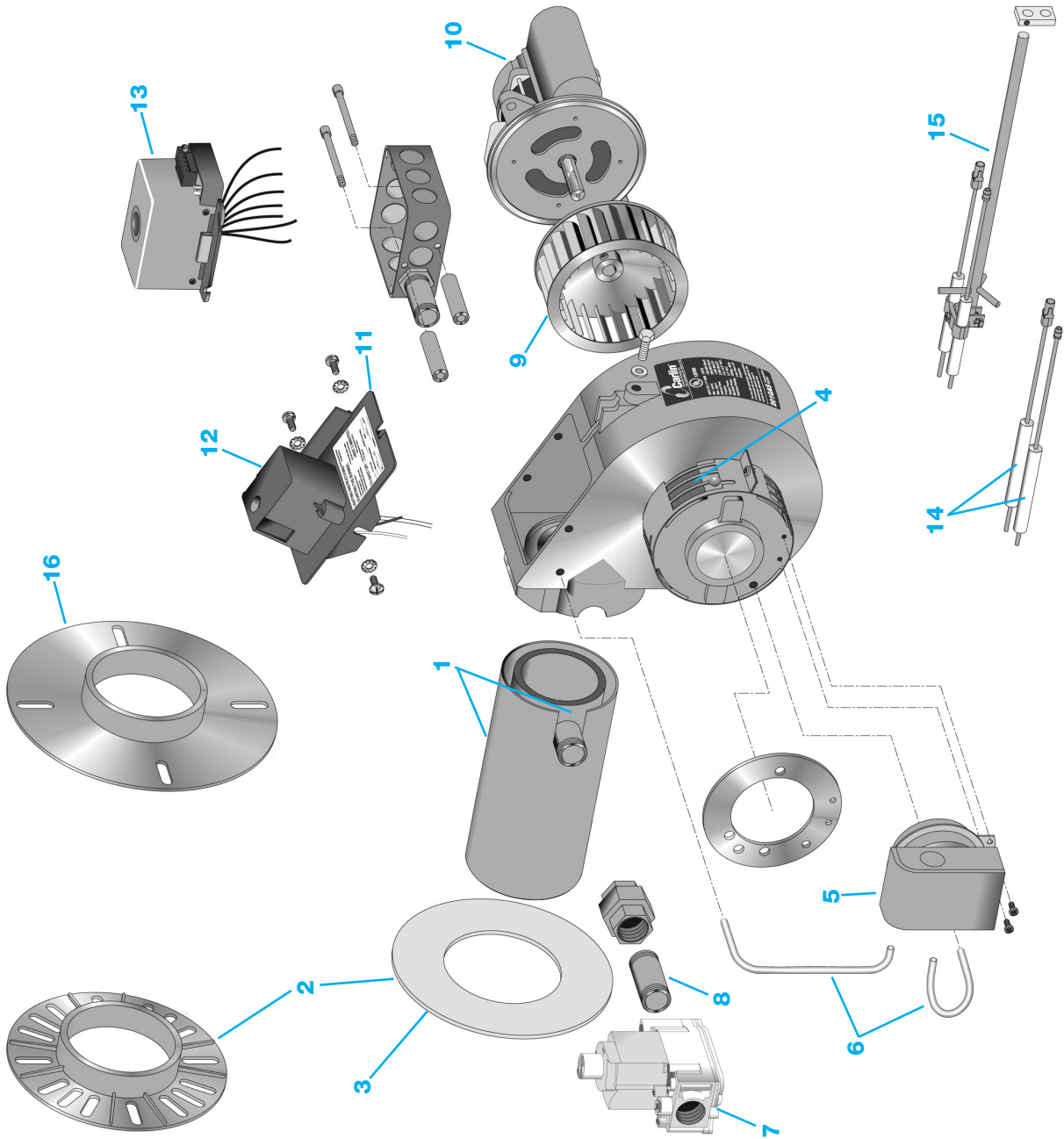
Note: Parts may not be exactly as shown in diagram.

ITEM	PART NO.	DESCRIPTION
8	28613S	Blower Wheel Obsolete – no longer available
9	51060S	Motor Mounting Ring with bushing
10	27789S	Burner Motor 1/50HP
11	33936S	Indicator Light
12	99564KITS	Control Honeywell S89C
13	24315S	Transformer Obsolete – no longer available
14	35782S	Motor Relay Obsolete – no longer available

NOTE: G3B burner has been discontinued. Please contact factory for parts availability.

ITEM	PART NO.	DESCRIPTION
1	61663S	Orifice Kit Obsolete – no longer available
2	41053S	Gas Valve 24 Volt
3	40360S	Gasket kit (includes 40287, 40360 & 2-40402)
4	57117S	Flameholder Obsolete – no longer available
5	97875S	Ignition Tube Assembly with Gasket 6"
	97876S	Ignition Tube Assembly with Gasket 9"
	97877S	Obsolete – no longer available
If entire tube needs replacing, entire burner must be replaced.		
6	87197S	Hot Surface Ignitor Assembly
7	46631S	Rear Ignitor assembly with boots 6" Obsolete – no longer available
	46656S	Rear Ignitor assembly with boots 9" Obsolete – no longer available
	46615S	Rear Ignitor assembly with boots 12" Obsolete – no longer available

Parts List ■ Items that are shaded are considered stock items.



60 201 Gas Burners

Note: Parts may not be exactly as shown in diagram.

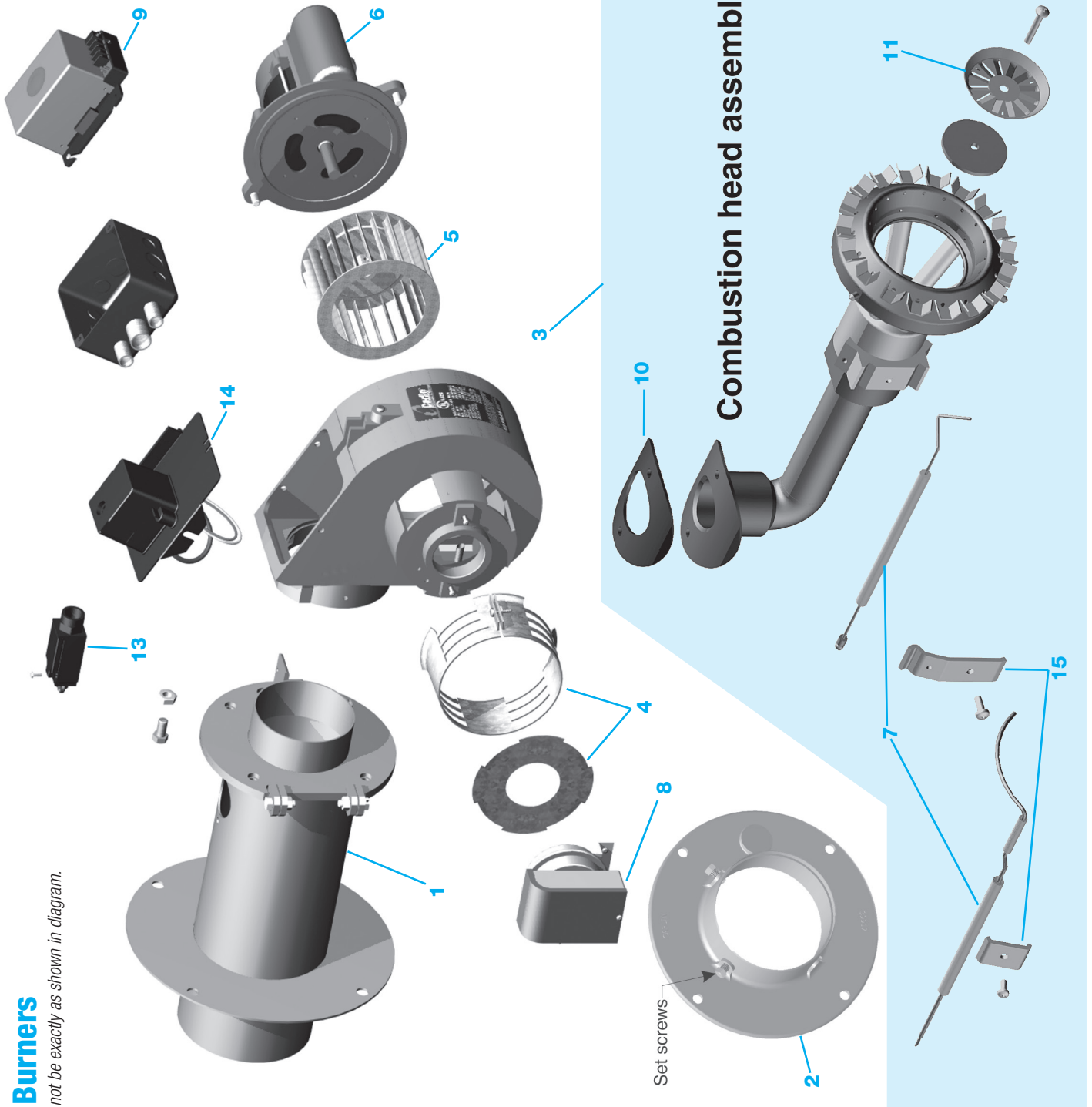
ITEM	PART NO.	DESCRIPTION
10	98611S	Motor 1/6HP 120V 60Hz, 48N Frame
	98630S	Motor 1/4HP 120V 60Hz, 48N Frame (used on oil 201/301)
11	98534S	Hinged cover plate for Ignitor
12	4180002S2	Ignitor for 201GAS
13	60200FRS	Primary Control Microprocessor Flame Rod
14	98433AS	Ignitor electrode/flame rod 8"
	98433BS	Ignitor electrode/flame rod 10"
	98433CS	Ignitor electrode/flame rod 12"
	98433DS	Ignitor electrode/flame rod 14"
	98433ES	Ignitor electrode/flame rod 16"
15	98540AS	Ignitor electrode/flame rod assembly 8"
	98540BS	Ignitor electrode/flame rod assembly 10"
	98540CS	Ignitor electrode/flame rod assembly 12"
	98540DS	Ignitor electrode/flame rod assembly 14"
	98540ES	Ignitor electrode/flame rod assembly 16"
16	59444BLUS	Optional forced draft flange
17	20GFRWIRES	201GAS Flame Rod Wire (not shown)

ITEM	PART NO.	DESCRIPTION
1	98514AAKITS	8" Air Tube w/ A Diffuser & Gas Can
	98514ABKITS	8" Air Tube w/ B Diffuser & Gas Can
	98514BAKITS	10" Air Tube w/ A Diffuser & Gas Can
	98514BBKITS	10" Air Tube w/ B Diffuser & Gas Can
	98514CAKITS	12" Air Tube w/ A Diffuser & Gas Can
	98514CBKITS	12" Air Tube w/ B Diffuser & Gas Can
	98514DAKITS	14" Air Tube w/ A Diffuser & Gas Can
	98514DBKITS	14" Air Tube w/ B Diffuser & Gas Can
2	98514EAKITS	16" Air Tube w/ A Diffuser & Gas Can
	98514EBKITS	16" Air Tube w/ B Diffuser & Gas Can
2	59642BLUS	Flange/Gasket kit for 201GAS
3	40287S	Gasket for Flange only
4	98542S	Air Band 2 Slot for 201Gas and 202Gas
	47001S	Air Band 4 Slot for 201Gas, 202Gas
5	98521KITS	Airflow switch and mounting plate assembly for 201 Gas
6	98557S	Blower sensing line kit inlet and outlet
7	98523S	Gas valve VR4305M-4540 for EZGAS and 201 Gas
8	9938440XX	Field drilled orifice with 3/32 pilot hole - 3/4" x 4"
9	28563S	Blower wheel (used on 201/301 Oil and Gas), 5-3/4" OD x 4" W, 1/2" BORE

Parts List ■ Items that are shaded are considered stock items.

REPLACEMENT PARTS
62 301 Gas Burners

Note: Parts may not be exactly as shown in diagram.



Parts List ■ Items that are shaded are considered stock items.

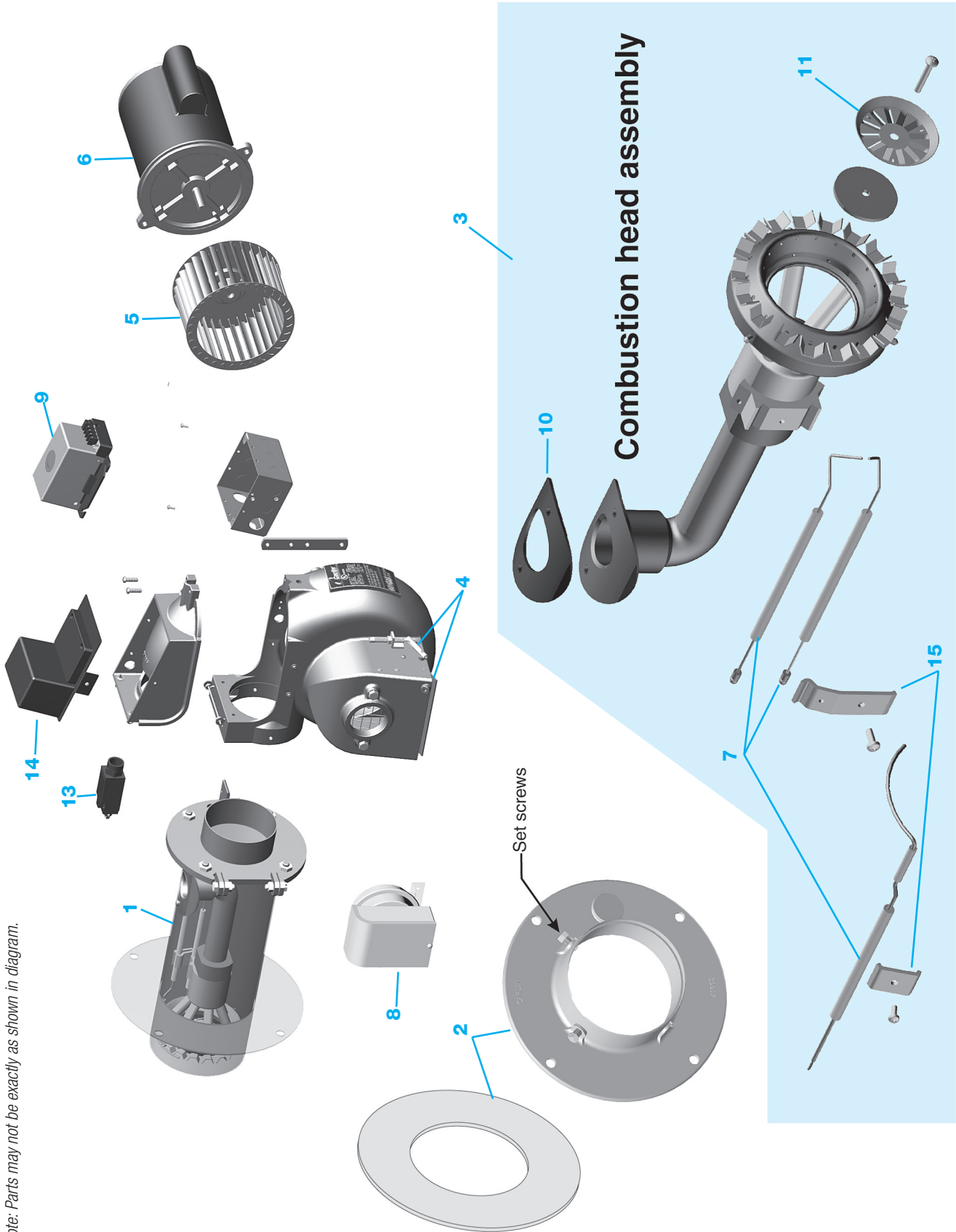
ITEM	PART NO.	DESCRIPTION
1	99259S	301/601Gas Airtube 14" B , 1" inlet for rates 401,000 to 700,000 BTU's.
	99189S	301/601Gas Airtube 14" C , 1" inlet for rates 550,000 to 1,100,000 BTU's.
2	99255KITS	Flange/Gasket kit for 301GAS/601GAS
3	99164S	Combustion Head Assembly "B" Head
	99277S	Combustion Head Assembly "C" Head
4	99254S	Air Shutter 301Gas
	47001S	Airband 301Gas
5	28563S	Blower wheel/ fan, 5-3/4" OD x 4" W, 1/2" BORE
6	98611S	Motor 1/6HP, 120V, 60HZ , 48N Frame
7	99158S	Ignition Electrode/Flame Rod 301GAS

ITEM	PART NO.	DESCRIPTION
8	98521S	Airflow switch for 301/601GAS
9	60200FRS	Primary Control Microprocessor Flame Rod
10	99260S	Gasket Kit (Includes 40253, 99260, 99430)
11	99162S	Retention Ring Assy
12	30GFRWIRES	Flame Rod Wire 24" for 301/601Gas (not shown)
13	99261KITS	Door Interlock Switch and Mounting Screws
14	4180002S	Ignitor for 301GAS
15	99153KITS	Electrode/Flame Rod Bracket assembly

Parts List ■ Items that are shaded are considered stock items.

601 Gas Burners

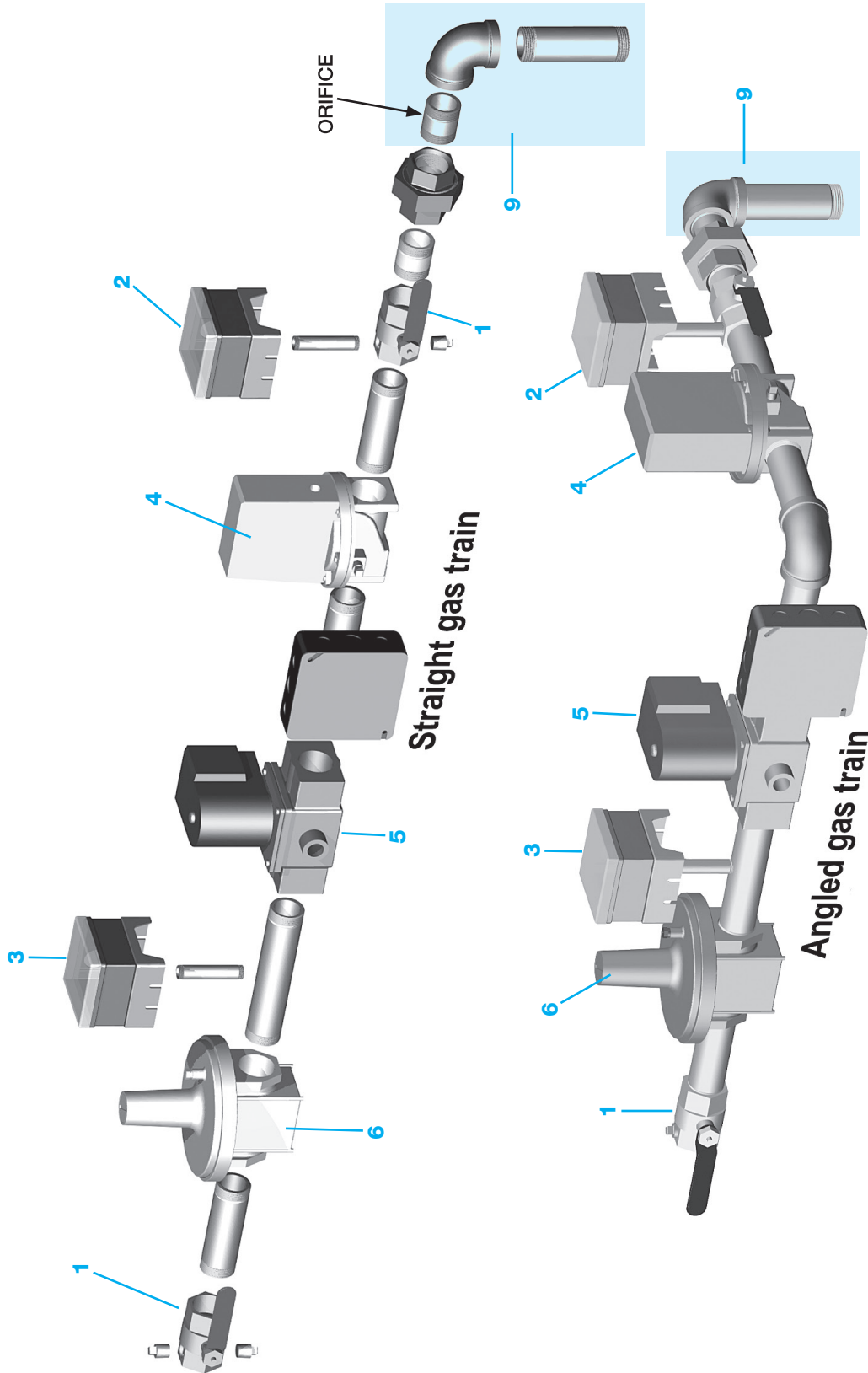
Note: Parts may not be exactly as shown in diagram.



ITEM	PART NO.	DESCRIPTION
7	99292S	Ignition Electrode/Flame Rod 601 GAS (Includes 99292, 99293, 99161)
8	98521S	Airflow switch for 301/601 GAS
9	60200FRS	Primary Control Microprocessor Flame Rod
10	99260S	Gasket Kit (Includes 40253, 99260, 99430)
11	99162S	Retention Ring Assy
12	30GFRWIRES 99477S	Flame Rod Wire 24" for 301/601Gas (not shown) Ignition Wire 14-1/2" (not shown)
13	99261KITS	Door Interlock Switch and Mounting Screws
14	41000SOLC	Ignitor for 601Gas w/Baseplate
15	99153KITS	Electrode/Flame Rod Bracket assembly (Includes 99153 & 99155)

ITEM	PART NO.	DESCRIPTION
1	99259S	301/601Gas Airtube 14" B, 1" inlet for rates 401,000 to 700,000 BTU'S.
	99189S	301/601Gas Airtube 14" C, 1" inlet for rates 550,000 to 1,100,000 BTU'S.
	99607S	601Gas Airtube 14" D, 1-1/4" INLET, 900,000 TO 1,500,000 BTU'S
2	99255KITS	Flange/Gasket kit for 301 GAS/601 GAS
3	99294S	"11" Combustion Head Assembly
	99535S	"12" Combustion Head Assembly
	99295S	"21" Combustion Head Assembly
	99536S	"22" Combustion Head Assembly
	99532S	"31" Combustion Head Assembly
	99516S	"32" Combustion Head Assembly
4	47407S	Air Shutter Kit
5	98857S	Blower wheel/fan, 6-1/2" OD x 3-3/4" W, 1/2" BORE
6	27706S	Motor 1/2HP 115/230V 60Hz, 1PH

Parts List ■ Items that are shaded are considered stock items.



66 301 / 601Gas Train

Note: Parts may not be exactly as shown in diagram.

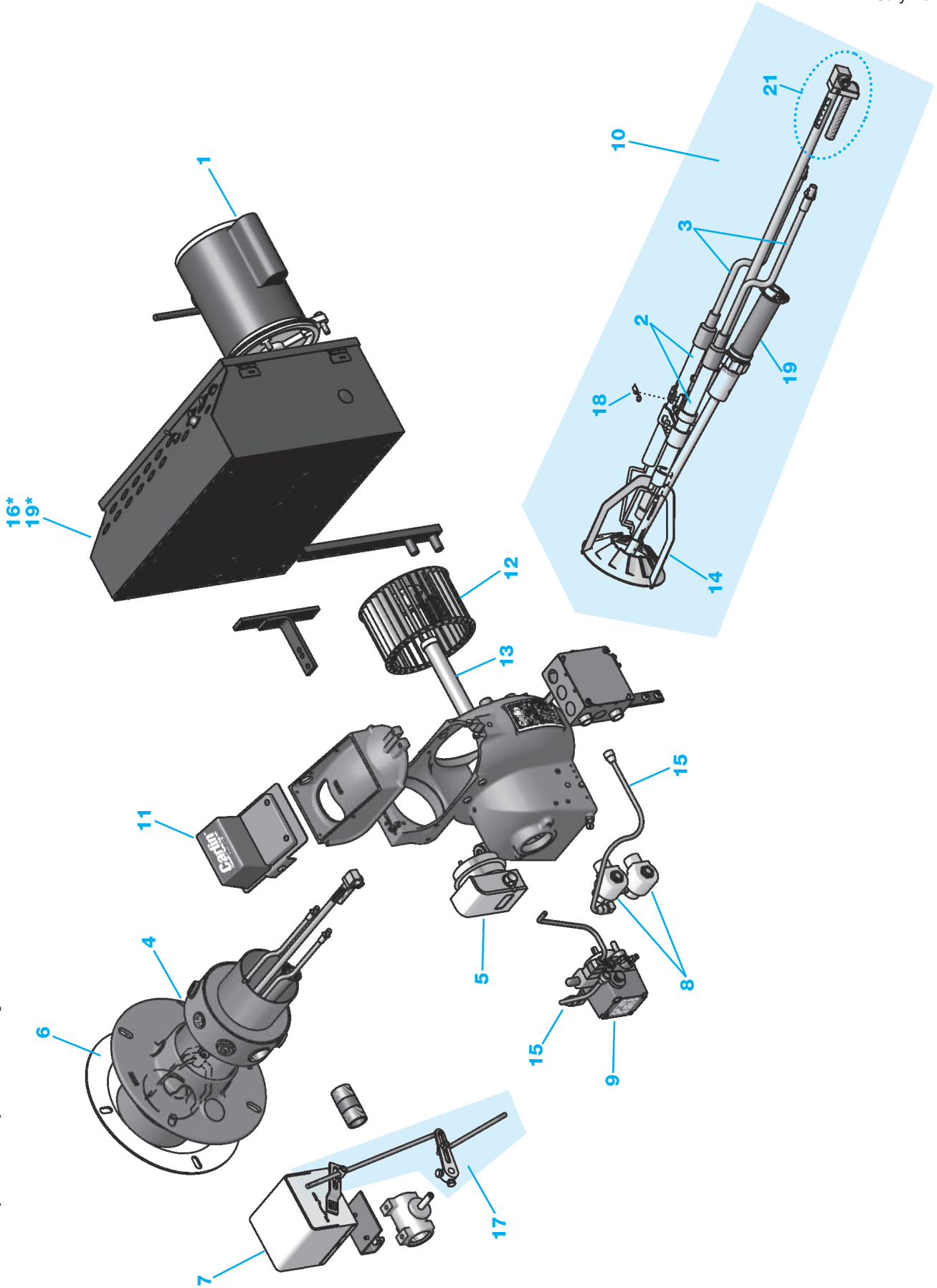
ITEM	PART NO.	DESCRIPTION	301 GAS	601 GAS
1	99225S	Manual Gas Shutoff 1" NPT	•	•
	99245S	Manual Gas Shutoff 1-1/4" NPT	•	•
	99246S	Manual Gas Shutoff 1-1/2" NPT	•	•
	99926S	Manual Gas Shutoff 2" NPT	•	•
2	99235S	High gas pressure switch	•	•
3	99234S	Low Gas pressure switch	•	•
4	99227S	Primary Gas Valve, Honeywell 48A 2169 1" NPT w/ bleed restrictor	•	•
	99434S	Primary Gas Valve, Honeywell 48A 2177 1-1/4" NPT w/ bleed restrictor	•	•
	99434AS	Primary Gas Valve, Honeywell V48A 2185 1-1/2" NPT w/ bleed restrictor	•	•
	99434BS	Primary Gas Valve, Honeywell 48A 2243 2" NPT w/ bleed restrictor	•	•
	99796AS	Primary Gas Valve Honeywell V4944N-1011 1" NPT MASS CODE Natural Gas	•	•
99796BS	Primary Gas Valve Honeywell V4944N-1029 1-1/4" NPT MASS CODE Natural Gas	•	•	
99796ES	Primary Gas Valve Honeywell V4944N-1037 1-1/2" NPT MASS CODE Natural Gas	•	•	
99796FS	Primary Gas Valve Honeywell V4944N-1045 2" NPT MASS CODE Natural Gas	•	•	
99796DS	Primary Gas Valve Honeywell V4944L-1024 1-1/4" NPT MASS CODE Propane Gas	•	•	

ITEM	PART NO.	DESCRIPTION	301 GAS	601 GAS
5	99229S	Secondary Gas Valve Honeywell V4295A 1031 - 1" NPT	•	•
	99435S	Secondary Gas Valve Honeywell V4295A 1049 - 1-1/4" NPT	•	•
	99435AS	Secondary Gas Valve Honeywell V4295A 1056 - 1-1/2" NPT	•	•
	99435BS	Secondary Gas Valve Honeywell V4295A 1064 - 2" NPT	•	•
6	99233S	Gas Pressure Regulator 1" NPT Maxitrol RV-61	•	•
	99432S	Gas Pressure Regulator 1-1/4" NPT Maxitrol RV-81	•	•
	99432AS	Gas Pressure Regulator 1-1/2" NPT Maxitrol RV-81	•	•
	99432BS	Gas Pressure Regulator 2" NPT Maxitrol RV-91	•	•
7	99957S	Time Delay relay 8-second (Mounted to gas train junction box)	•	•
8	99415S	Spring Kit (Includes 99759 & 99415)	•	•
9	9925020XX	Gas Orifice pilot hole for field drill 7/32" - 1" NPT*	•	•
	9947620XX	Gas Orifice pilot hole for field drill 9/32" - 1-1/4" NPT**	•	•
	99250KIT1S	Orifice 7/32 & 3" Elbow Kit	•	•
	99476KIT1S	Orifice 9/32 & 3" Elbow Kit	•	•
10	99228S	Bleed Orifice (not shown)	•	•

*Field drilled orifice with 7/32" pilot hole - 1" NPT x 2"L

**Field drilled orifice with 9/32" pilot hole - 1-1/4" NPT x 2"L

*Red chassis. produced prior to July 2020



702G & Original 702G/0* Burners

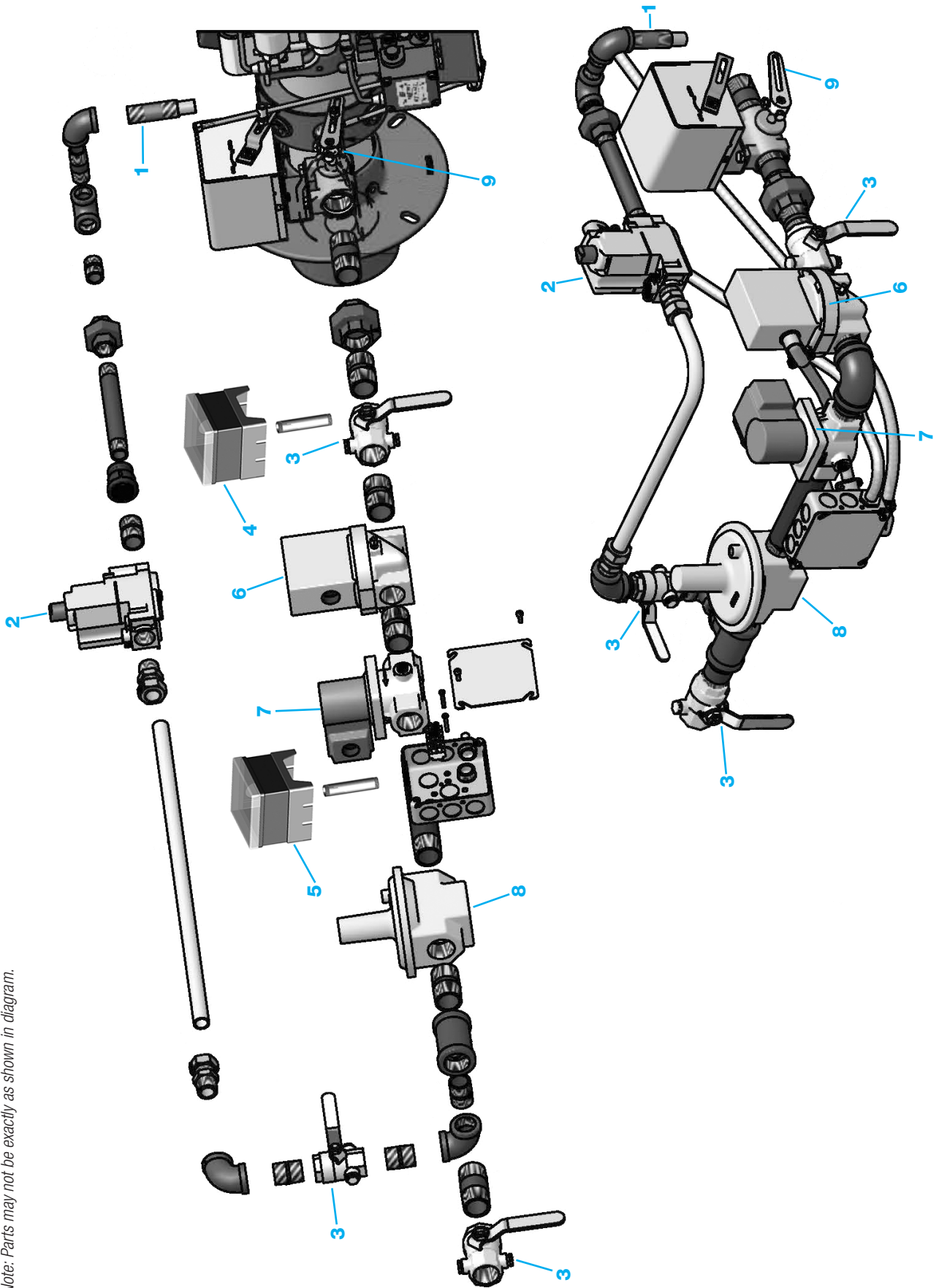
Note: Parts may not be exactly as shown in diagram.

*Red chassis, produced prior to July 2020

ITEM	PART NO.	DESCRIPTION	702Gas	702G/O
12	98857KITS	Blower Wheel, Coupling, Augmentor, 6-1/2" OD x 3-3/4" W, 1/2" Bore	•	•
13	98856S	Coupling 1/2" ID x 5/16" ID x 6-13/16" L, B Pump	•	•
14	56747S	Retention Ring Assy 702CRD	•	•
15	75291S	Oil line kit (75358S, 75291S)	•	•
16	35824S	Motor Contactor 20 AMP R4242B1005 (not shown)	•	•
17	22889S1	Damper Motor Linkage Kit - Older Models only	•	•
	51476S	Shutter Drive Link Kit 9"	•	•
	51542S	Damper Motor Linkage Kit 1"	•	•
	51459S	Butterfly Valve and CrankArm-Siemens VKG-10, 1"NPT	•	•
18	34215S	Thermal fuse	•	•
	99716S	Toggle Switch (not shown)	•	•
19	35311S	C7027A1023 UV Scanner	•	•
	97656S	Q7800B1003 Sub Base	•	•
	99766S	RM7897C1000 Programming Control	•	•
	97662S	R7849A1023 Amplifier	•	•
	97716S	ST7800A1054 Timing Card	•	•
	EMX51UVS	EMX51UV KIT includes all of the above	•	•
20	23382S	Pedestal (not shown)	•	•
21	6702KITS	Hardware Kit (Yoke 54916, C/H adj screw 47167, oil line elbow 29694)	•	•
22	69062	Scanner Pipe Assembly (not shown)	•	•

ITEM	PART NO.	DESCRIPTION	702Gas	702G/O
1	27706S	Motor: 1/2 hp, 115/230V, 60HZ, 1 Phase, 3450 rpm	•	•
2	98507S	Electrode Set of 2, Approx. 9-1/4" OAL	•	•
3	55772S	Ignition wire – One wire in Service Pack (2 Req'd)	•	•
4	99541S	14" Tube with pressurized flange 1" main gas inlet; 1/2" pilot inlet	•	•
	99541BLUS	14" Tube with pressurized flange 1" main gas inlet; 1/2" pilot inlet	•	•
5	98522S	Air Flow Switch 120 Volt	•	•
6	40246S	Gasket	•	•
7	35808S	Damper Motor - M436A Older models only	•	•
	51317S	Damper Motor - SQN71	•	•
8	40857S	Instant Oil Valve 3Z20071 TSCV	•	•
	41004S	Instant Oil Valve 3Z20078 TSCV 3 Way	•	•
	61150KITS	Oil Valve Kit (44560, 29678, 44461, 29728, 44545)	•	•
9	23556S	Suntec, 2 Stage, B2TA-8851	•	•
	74476S	Suntec, 2 Stage, NYC, B2TA-8851 100/300PSI	•	•
10	57810S	14" Combustion Head Assembly (includes thermal fuse and electrode wire)	•	•
	50005S	14" Combustion Head Assembly for 702GAS	•	•
11	41000S	Ignitor	•	•
	41000S0LC	Ignitor on Baseplate	•	•

Parts List ■ Items that are shaded are considered stock items.

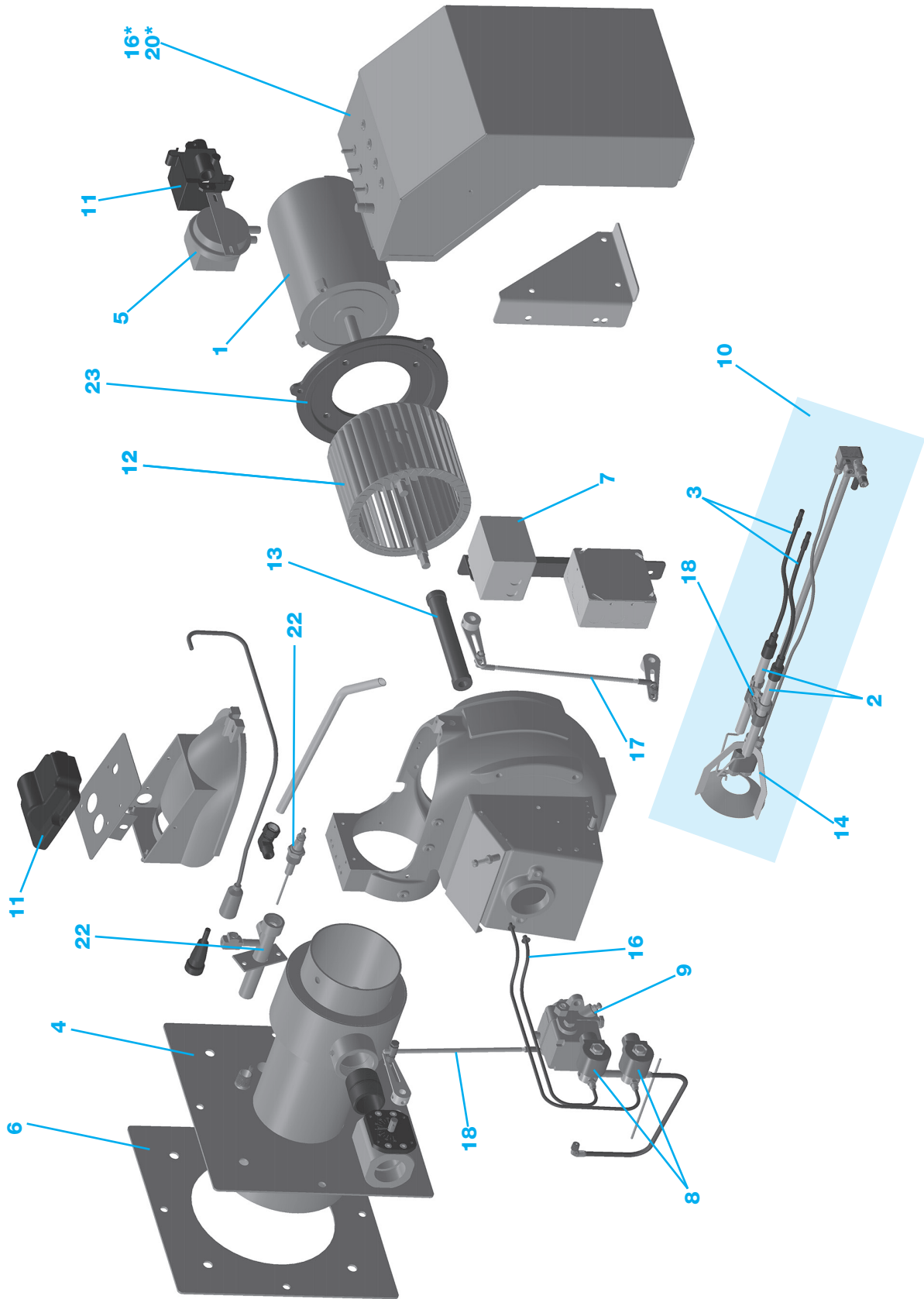


702G & 702G/0* Train
Note: Parts may not be exactly as shown in diagram.

ITEM	PART NO.	GAS TRAIN COMPONENTS	702Gas	702G/O
1	73007S	Orifice nipple assembly Natural Gas	•	•
	73007AS	Orifice nipple assembly Propane Gas	•	•
2	98523S	Pilot Gas valve 120 volt	•	•
3	99455S	Manual Gas Shutoff 3/4" NPT	•	•
	99225S	Manual Gas Shutoff 1" NPT	•	•
	99245S	Manual Gas Shutoff 1-1/4" NPT	•	•
	99246S	Manual Gas Shutoff 1-1/2" NPT	•	•
	99926S	Manual Gas Shutoff 2" NPT	•	•
4	99235S	High gas pressure switch	•	•
5	99234S	Low Gas pressure switch	•	•
6	99227S	Primary Gas Valve, Honeywell 48A 2169 1" NPT w/ bleed restrictor	•	•
	99434S	Primary Gas Valve, Honeywell 48A 2177 1-1/4" NPT w/ bleed restrictor	•	•
	99434AS	Primary Gas Valve, Honeywell V48A 2185 1-1/2" NPT w/ bleed restrictor	•	•
	99434BS	Primary Gas Valve, Honeywell 48A 2243 2" NPT w/ bleed restrictor	•	•

ITEM	PART NO.	GAS TRAIN COMPONENTS	702Gas	702G/O
7	99229S	Secondary Gas Valve Honeywell V4295A 1031 – 1" NPT	•	•
	99435S	Secondary Gas Valve Honeywell V4295A 1049 – 1-1/4" NPT	•	•
	99435AS	Secondary Gas Valve Honeywell V4295A 1056 – 1-1/2" NPT	•	•
	99435BS	Secondary Gas Valve Honeywell V4295A 1064 – 2" NPT	•	•
8	99233S	Gas Pressure Regulator 1" NPT Maxitrol RV-61	•	•
	99432S	Gas Pressure Regulator 1-1/4" NPT Maxitrol RV-81	•	•
	99432AS	Gas Pressure Regulator 1-1/2" NPT Maxitrol RV-81	•	•
	99432BS	Gas Pressure Regulator 2" NPT Maxitrol RV-91	•	•
9	51459S	Butterfly valve	•	•
10	99228S	Bleed Orifice (not shown)	•	•

Parts List ■ Items that are shaded are considered stock items.



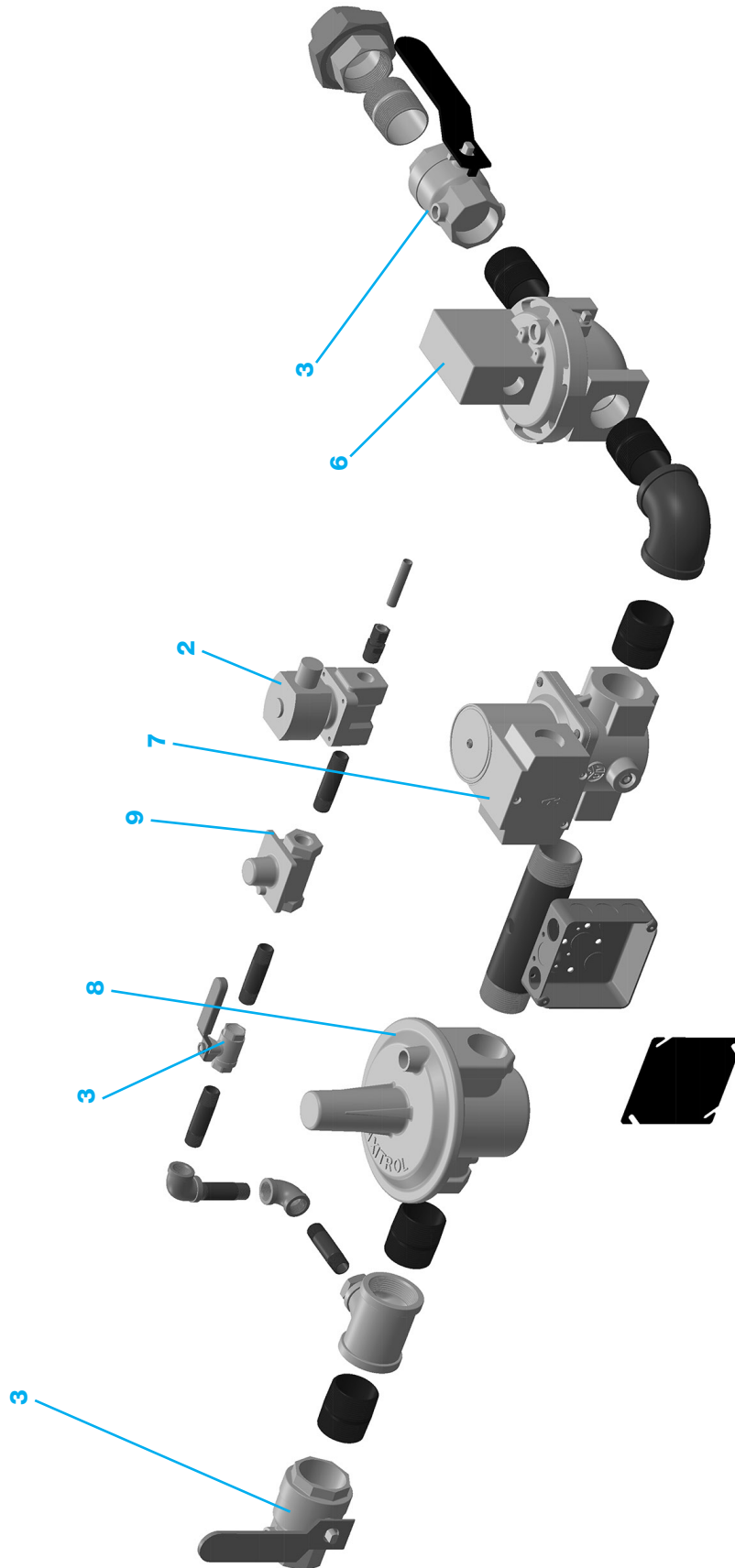
72 801G & 801G/O Series Burners

Note: Parts may not be exactly as shown in diagram.

ITEM	PART NO.	DESCRIPTION	801Gas	801G/O
14	56812S	Retention Ring Assy 801CHD	•	•
15	35824S	Motor Contactor 20 AMP R4242B1005 (Not Shown)	•	•
16	75416KITS	Oil Line Kit For 801G/O	•	•
18	51541S	Damper Motor Linkage Kit 12"	•	•
	51542S	Shutter Drive Linkage Kit 11"	•	•
19	34215S	Thermal fuse	•	•
	99716S	Toggle Switch (Not Shown)	•	•
20	35311S	C7027A1023 UV Scanner	•	•
	97656S	Q7800B1003 Sub Base	•	•
	99766S	RM7897C1000 Programming Control	•	•
	97662S	R7849A1023 Amplifier	•	•
	97716S	ST7800A1054 Timing Card	•	•
	EMX51UVS	EMX51UV KIT includes all of the above	•	•
21	23382S	Pedestal (Not Shown)	•	•
22	51202S	Pilot assembly with electrode and gasket	•	•
	51376S	Gas electrode	•	•
	51457S	Butterfly Valve and Crank Arm - Siemens VKG-20, 1-1/2" NPT	•	•
	51604	Pilot Ignition Wire	•	•
23	46771S	Motor Mounting Ring	•	•
24	48504S	Air Shutter Assembly	•	•
25	81150KITS	Hardware Kit (Includes 54916,47167,29728,29892)	•	•

ITEM	PART NO.	DESCRIPTION	801Gas	801G/O
1	27730S	Motor: 3/4HP 115/208-230V 60HZ, 1 Phase, 3450 RPM	•	•
	27657S	Motor: 1 1/2HP 115/208-230V 60HZ, 1 Phase, 3450 RPM	•	•
2	98507S	Electrode Set of 2, Approx. 9 1/4" OAL	•	•
3	56069S	Ignition Wire: 9 1/4" OAL for Nominal 10" AT (2 Req'd)	•	•
4	51564S	15" Tube with pressurized flange 1-1/2" main gas inlet; external pilot; 4" UTL	•	•
	51564BLUS	15" Tube with pressurized flange 1-1/2" main gas inlet; external pilot; 4" UTL	•	•
5	98522S	Air Flow Switch 120 Volt	•	•
6	51573S	Gasket	•	•
7	51317S	Damper Motor - SQN71	•	•
8	41004S	Instant Oil Valve 3Z0078TSCV 3 Way	•	•
	61150KITS	Oil Valve Kit (44560, 29678, 44461, 29728, 44545)	•	•
9	98042S	Fuel Unit, 2 Stage, B2TA-8260	•	•
	98126S	Fuel Unit, 2 Stage, B2TA-8260, NYC	•	•
10	51393CS	15" Combustion Head Assembly (includes thermal fuse and electrode wire)	•	•
	51576CS	15" Combustion Head Assembly for 801GAS	•	•
11	4180002FS	Gas Ignitor	•	•
	45000S	Oil Ignitor	•	•
12	28548S	Blower Wheel/Fan: 7" OD x 5 W, 5/8" Bore	•	•
	28555S	Blower Wheel/Fan: 7 5/8" OD x 5" W, 5/8" Bore	•	•
13	98229S	Coupling: 1/2" ID x 5/16" ID x 6 1/2" L, B Pump	•	•
	28779S	Coupling: 1/2" ID x 7/16" ID x 5 13/16" L, H or J Pump	•	•

Parts List ■ Items that are shaded are considered stock items.



801 Series Gas Train

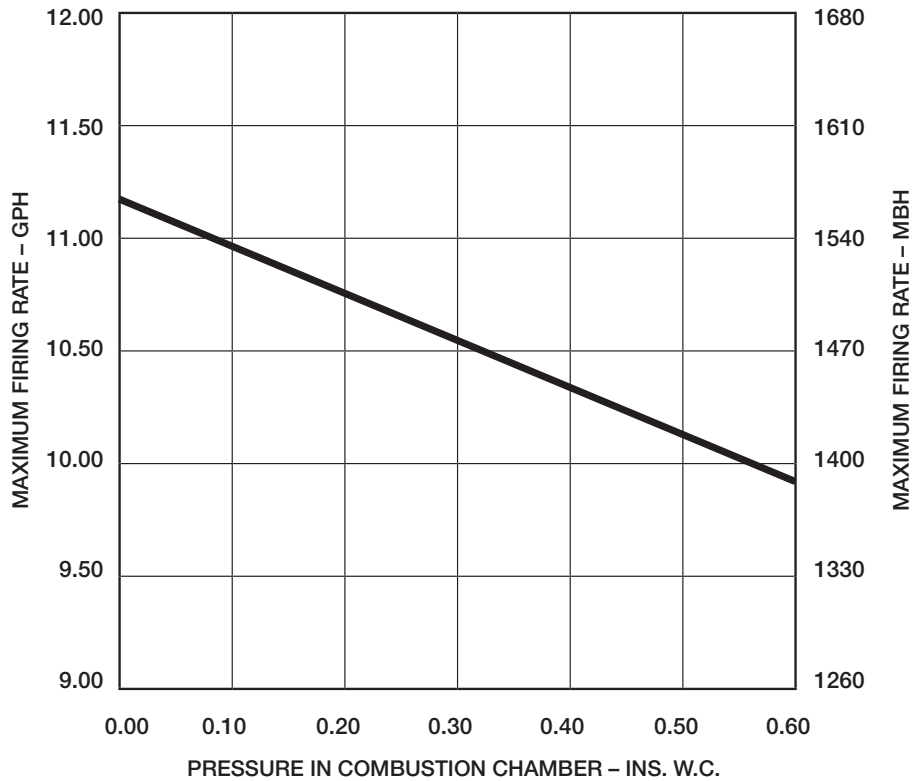
Note: Parts may not be exactly as shown in diagram.

ITEM	PART NO.	DESCRIPTION	801Gas	801G/O
1	51455S	Pilot Gas regulator	•	•
2	51380S	Pilot Gas valve 120 volt	•	•
3	51456S	Manual Gas Shutoff 3/8" NPT	•	•
	99225S	Manual Gas Shutoff 1" NPT	•	•
	99245S	Manual Gas Shutoff 1 1/4" NPT	•	•
	99246S	Manual Gas Shutoff 1 1/2" NPT	•	•
	99926S	Manual Gas Shutoff 2" NPT	•	•
4	99235S	High gas pressure switch	•	•
5	99234S	Low Gas pressure switch	•	•
6	99227S	Primary Gas Valve, Honeywell 48A 2169 1" NPT w bleed restrictor	•	•
	99434S	Primary Gas Valve, Honeywell 48A 2177 1 1/4" NPT w bleed restrictor	•	•
	99434AS	Primary Gas Valve, Honeywell V48A 2185 1 1/2" NPT w bleed restrictor	•	•
	99434BS	Primary Gas Valve, Honeywell 48A 2243 2" NPT w bleed restrictor	•	•

ITEM	PART NO.	DESCRIPTION	801Gas	801G/O
7	99229S	Secondary Gas Valve Honeywell V4295A 1031 - 1" NPT	•	•
	99435S	Secondary Gas Valve Honeywell V4295A 1049 - 1 1/4" NPT	•	•
	99435AS	Secondary Gas Valve Honeywell V4295A 1056 - 1 1/2" NPT	•	•
	99435BS	Secondary Gas Valve Honeywell V4295A 1064 - 2" NPT	•	•
8	99233S	Gas Pressure Regulator 1" NPT Maxitrol RV-61	•	•
	99432S	Gas Pressure Regulator 1-1/4" NPT Maxitrol RV-81	•	•
	99432AS	Gas Pressure Regulator 1-1/2" NPT Maxitrol RV-81	•	•
	99432BS	Gas Pressure Regulator 2" NPT Maxitrol RV-91	•	•
9	51459S	Butterfly valve and crank arm - Siemens VKG-10, 1" NPT	•	•
	51457S	Butterfly valve and crank arm - Siemens VKG-20, 1 1/2" NPT	•	•
10	99228S	Bleed orifice (Not shown)	•	•

Parts List ■ Items that are shaded are considered stock items.

DE-RATE CURVE



MAXIMUM FIRING RATES

NOTICE Reduce nozzle/firing rate when required. Maximum burner capacity is reduced when overfire pressure is positive and for altitudes above 2,000 feet. See below and adjust firing rate/nozzle selection if necessary.

702G/O — Maximum firing rate for positive overfire pressure and high altitude		
Overfire pressure (Inches w.c.)	Oil – GPH	Gas – MBH
0.00	11.2	1,600
0.10	10.9	1,530
0.20	10.7	1,500
0.30	10.6	1,480
0.40	10.3	1,440
0.50	10.2	1,430
0.60	9.9	1,390
<p>Altitudes: For altitudes more than 2,000 feet above sea level, reduce the above capacities an additional 4% per 1,000 feet higher than 2,000 feet above sea level.</p>		

NOTES

NOTES

NOTES

NOTES



126 Bailey Road, North Haven, CT 06473

Tel: 203-680-9401 Fax 203-764-1711

www.carlincombustion.com