

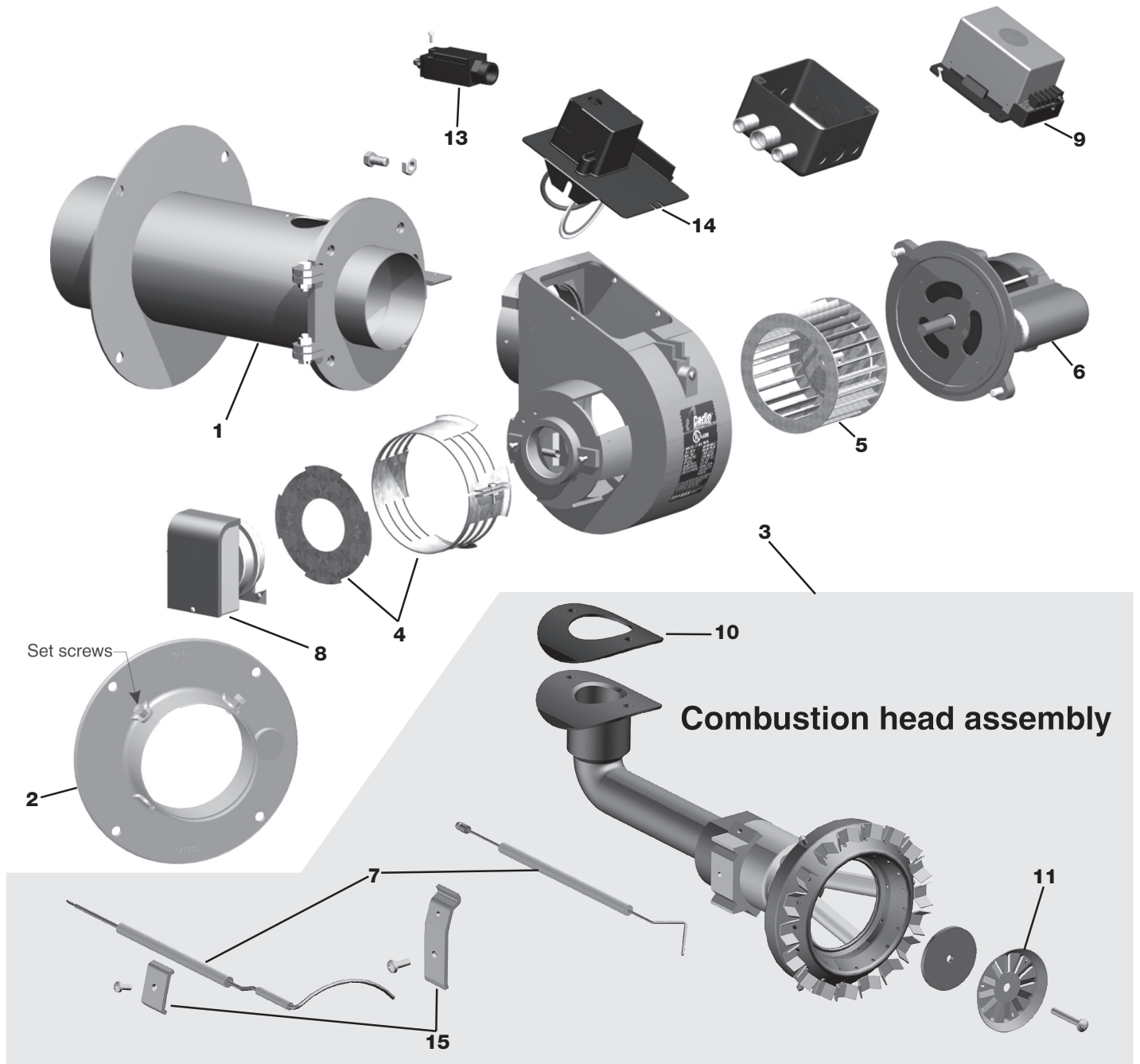
9. Replacement Parts – Burner

ITEM	PART NO.	DESCRIPTION
1	99259S	301/601Gas Airtube 14" B , 1" inlet for rates 401,000 to 700,000 BTU's.
	99189S	301/601Gas Airtube 14" C , 1" inlet for rates 550,000 to 1,100,000 BTU's.
2	99225KITS	Flange/Gasket kit for 301GAS/601GAS
3	99164S	Combustion Head Assembly "B" Head
	99277S	Combustion Head Assembly "C" Head
4	99254S	Airband/Air Shutter Kit
5	28563S	Blower wheel/ fan
6	98611S	Motor 1/6HP, 120V, 60HZ , 48N Frame
7	99158S	Ignition Electrode/Flame Rod 301GAS
8	98521KITS	Airflow switch and mounting plate assembly for 201/301/601GAS
9	60200FR343S	Primary Control Microprocessor Flame Rod
10	99260S	Gasket Kit (Includes 40253, 99260, 99430)
11	99162S	Retention Ring Assy
12	30GFRWIRES	Flame Rod Wire 24" for 301/601Gas (not shown)
13	99261KITS	Door Interlock Switch and Mounting Screws
14	4180002S	Ignitor for 301GAS
15	99153KITS	Electrode/Flame Rod Bracket assembly

See Gas Train Wiring Supplement for parts breakdown and diagrams for all gas trains.

Where appliance instructions differ from this manual, follow the appliance instructions.

9. Replacement Parts – Burner (continued)



NOTICE

Burner is shown with welded flange, supplied only on burners ordered for specific appliance applications. Other burners are supplied with the optional forced draft adjustable flange (item 18). See page 19 for details.