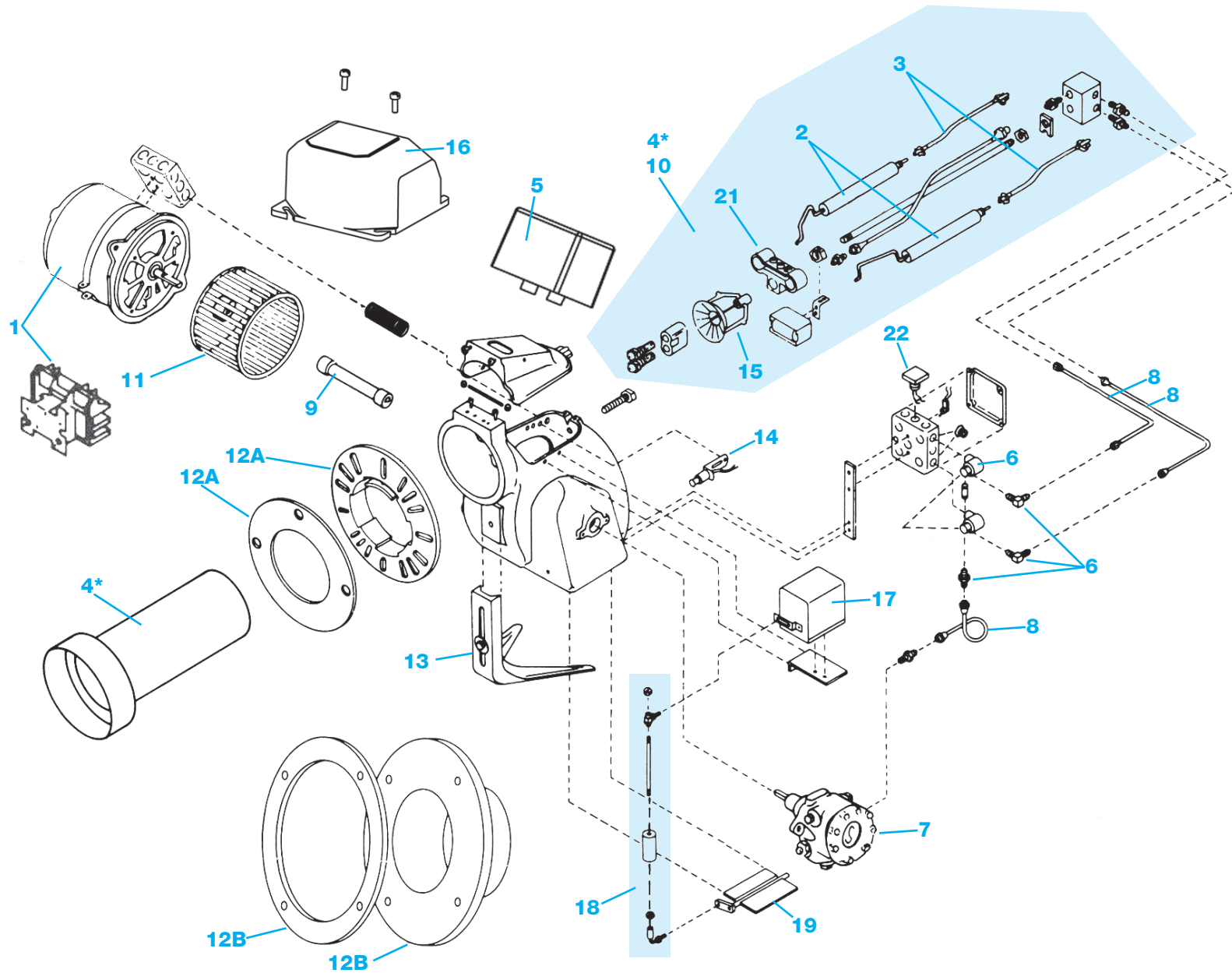


# 601. 701, 702 Oil Burners



\*4 includes selected air tube and combustion head assembly

## 601. 701, 702 Oil Burners

ITEM	PART NO.	DESCRIPTION	601CRD	701CRD	702CRD
1	27706S	1/2 hp, 115/230V, 60HZ, 1 Phase, 3450 rpm Motor	•	•	•
2	98507S	Electrode Set (2), Approx. 9-1/4" OAL	•	•	•
3	56069S	Ignition Wire 9-1/4" OAL, for Nominal 12" Air Tube (2 req'd)	•	•	
	56036S	Ignition Wire 10-3/4" OAL for Nominal 14" Air Tube (2 req'd)	•	•	
	56085S	Ignition Wire 8-3/8" OAL, for Nominal 10" Air Tube (2 req'd)	•	•	•
4	22517S	601CRD 10" Standard Air Tube/Combustion Head Assy	•		
	22541S	601CRD 12" Standard Air Tube/Combustion Head Assy	•		
	22574S	601CRD 14" Standard Air Tube/Combustion Head Assy	•		
	22632S	701CRD 10" Standard Air Tube/Combustion Head Assy		•	
	22665S	701CRD 12" Standard Air Tube/Combustion Head Assy		•	
	22699S	701CRD 14" Standard Air Tube/Combustion Head Assy		•	
	68650S	702CRD 10" Standard Air Tube/Combustion Head Assy			•
5	41000S	110V Ignitor	•	•	•
	41000SOLC	110V Ignitor on Baseplate	•	•	•
6	40857S	Instant Oil Valve 32Z0071TSCV	•		•
	41004S	Instant Oil Valve 32Z0078TSCV 3 Way		•	•
	61150KITS	Oil Valve Fitting Kit (44560, 29678, 44461, 29728, 44545)	•	•	•
7	74450S	Fuel Unit, 2 Stage, NYC, J4PB-B1000G	•		
	74468S	Fuel Unit, 2 Stage, NYC, J4PB-B1000G		•	
	23556S	Fuel Unit, 2 Stage, B2TA-8851			•
	74476S	Fuel Unit, 2 Stage, NYC, B2TA-8851 100/300PSI			•
	98042S	Fuel Unit, 2 Stage, B2TA-8260	•	•	
	98127S	Fuel Unit, 2 Stage, NYC, B2TA-8260	•		
	98126S	Fuel Unit, 2 Stage, NYC, B2TA-8260		•	
8	75291S	Oil line kit	•	•	•
9	28738S	Coupling 1/2" ID x 7/16" ID x 4 7/8" L, H or J Pump	•	•	
	28761S	Coupling 1/2" ID x 5/16" ID x 6 11/32" L, B Pump	•	•	
	98856S	Coupling 1/2" ID x 5/16" ID x 6 13/16" L, B Pump			•

ITEM	PART NO.	DESCRIPTION	601CRD	701CRD	702CRD
10	56416S	10" Nominal 20-3/4" OAL Combustion Head Assy	•		
	56440S	12" Nominal 22-3/4" OAL Combustion Head Assy	•		
	56473S	14" Nominal 24-3/4" OAL Combustion Head Assy	•		
	57349S	10" Nominal 20-3/4" OAL Combustion Head Assy		•	
	57539S	12" Nominal 22-3/4" OAL Combustion Head Assy		•	
	57596S	14" Nominal 25-3/4" OAL Combustion Head Assy		•	
11	57737S	10" Nominal 20-3/4" OAL Combustion Head Assy			•
	98857S	Blower Wheel Only, 6 1/2" OD x 3 3/4" W, 1/2" Bore	•	•	•
	98857KITS	Blower Wheel, Coupling, Augmentor, 6-1/2" OD x 3-3/4" W, 1/2" Bore	•	•	•
12A	23259S	4" Universal Flange & Gasket	•	•	•
12B	23184S	4" Pressure Flange & Gasket	•	•	•
12C	59444UVS	4" Pressure Flange & Gasket – Ultra Violet (not shown)	•	•	•
13	23382S	Pedestal w/ hardware	•	•	•
14	14407S0ES	CAD Cell Kit	•	•	•
15	56580S	Retention Ring Assy 601CRD	•		
	56697S	Retention Ring Assy 701CRD		•	
	56747S	Retention Ring Assy 702CRD			•
16	70200S	Universal Primary w/ Display 70200	•	•	•
	4020002S	Model 40200 Primary 30/15/30	•	•	•
	5020002S	Model 50200 Primary 30/15/30	•	•	•
	6020002S	Model 60200 Primary 15/15/15	•	•	•
17	35808S	Damper Motor – M436A		•	•
18	22871S	Damper Motor Linkage Kit		•	•
	35824S	Motor Contactor 20 AMP R4242B1005	•	•	•
19	47407S	Air Shutter Assembly	•		
	48108S	Air Shutter Assembly		•	
20	6702KITS	Hardware Kit (54916, 29694, 47167, 29892, 29728)	•	•	•
21	59881S	Electrode Bracket	•	•	•
22	35741S	4 Second Time Delay	•	•	•