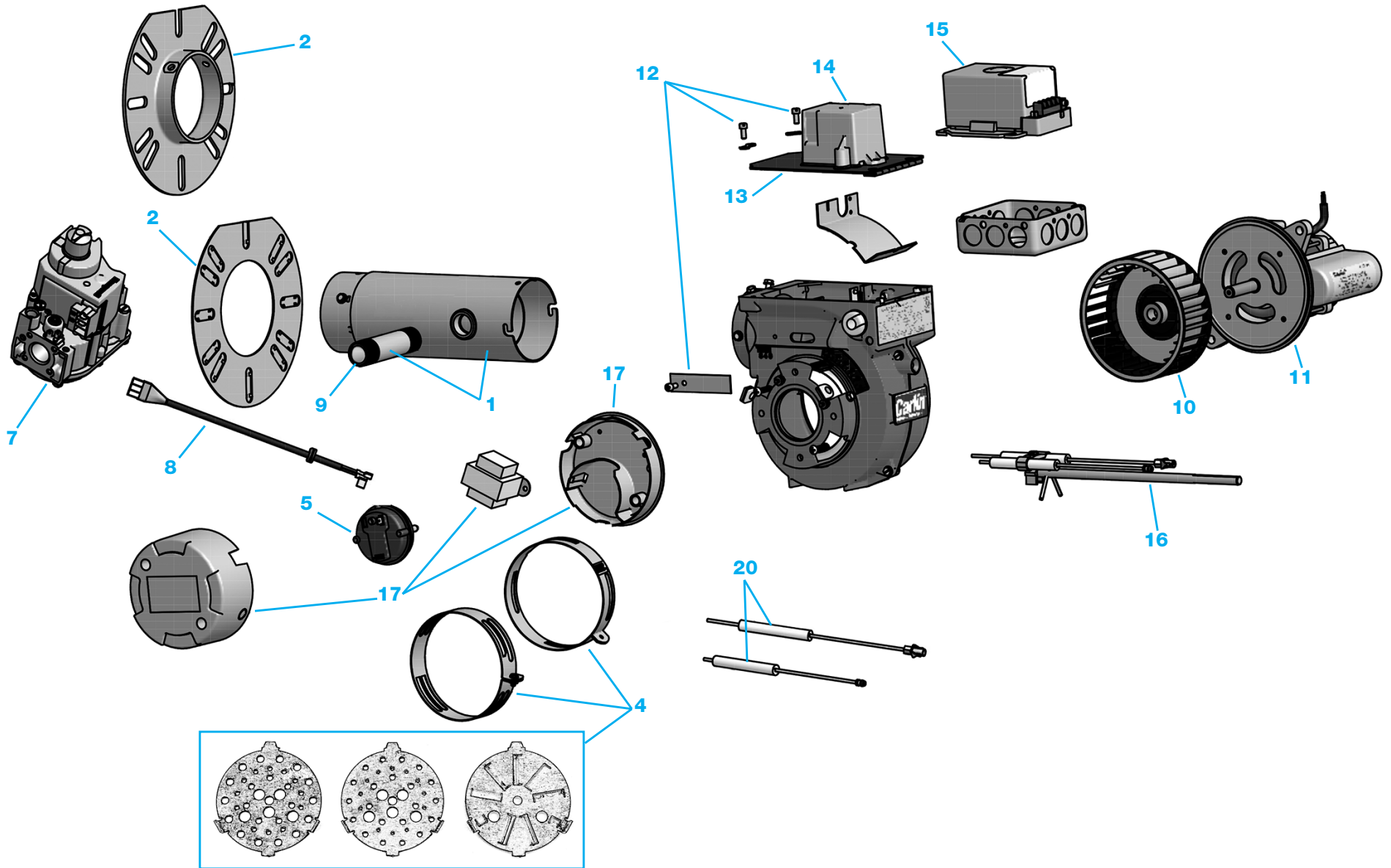


EZGas Pro Burners

Note: Parts may not be exactly as shown in diagram.



EZGas Pro Burners



ITEM	PART NO.	DESCRIPTION
1	99392AKITS	10" Air Tube Kit, A Diffuser w/ Field Drilled Orifice
	99392BKITS	10" Air Tube Kit, B Diffuser w/ Field Drilled Orifice
	99392CKITS	10" Air Tube Kit, 9-Slot Diffuser w/ Field Drilled Orifice
	99392DKITS	12" Air Tube Kit, A Diffuser w/ Field Drilled Orifice
	99392EKITS	12" Air Tube Kit, B Diffuser w/ Field Drilled Orifice
	99392FKITS	12" Air Tube Kit, 9-Slot Diffuser w/ Field Drilled Orifice
	99392GKITS	14" Air Tube Kit, A Diffuser w/ Field Drilled Orifice
	99392HKITS	14" Air Tube Kit, B Diffuser w/ Field Drilled Orifice
	99392NKITS	14" Air Tube Kit, 9-Slot Diffuser w/ Field Drilled Orifice
	99392SKITS	16" Air Tube Kit, A Diffuser w/ Field Drilled Orifice
	99392PKITS	16" Air Tube Kit, B Diffuser w/ Field Drilled Orifice
	99392MKITS	18" Air Tube Kit, A Diffuser w/ Field Drilled Orifice
99392KKITS	18" Air Tube Kit, B Diffuser w/ Field Drilled Orifice	
2	50833AS	Flange/Gasket Kit
3	50821AS	Flange Gasket Single Piece
	50821S	Flange Gasket 10 pack
	GSKTKIT1	EZ Gasket Seal Kit
4	50808KITS	Full Firing Rate Kit – A,B & 9S Diffuser + 2 Airbands
5	98522S	Air Flow Switch 120 Volt
	50806S	Air Flow Switch 24 Volt
6	98554S	Blower sensing lines kit – Only used on EZGAS 120V version (not shown)
7	50824S	Gas valve 24 volt
	98523S	Gas valve 120 volt
8	50819AS	Gas valve power harness (EZGas Pro only)
9	9938440XX	Field drilled orifice

ITEM	PART NO.	DESCRIPTION
10	77933S	Blower wheel, 5-1/16" OD x 2" W, 1/2" BORE
11	98629S	Motor PSC 1/15HP
	98022S	Motor PSC 1/6HP (Can be used on gas same as oil)
12	98282AS	Hardware kit for EZGAS/EZGAS PRO
13	98498S	Hinged cover plate for Ignitor
14	4180002S1	Ignitor for EZGAS & EZGAS PRO
15	60200FRS	Primary Control Microprocessor Flame Rod
16	98572AS	Ignitor electrode/flame rod assembly 10"
	98572BS	Ignitor electrode/flame rod assembly 12"
	98572CS	Ignitor electrode/flame rod assembly 14"
	98572DS	Ignitor electrode/flame rod assembly 16"
	98572ES	Ignitor electrode/flame rod assembly 18"
17	50822S	Transformer EZGAS PRO
	GPROTOTES	EZGAS PRO Burner Service kit Tote for PRO burners (not shown)
18	EZGASTOTES	EZGAS Burner Service kit Tote for 120V burners (not shown)
	19	99017S
20	98433AS	Electrode/ Flame Rod for 10" EZGAS OAL = 11¼"
	98433BS	Electrode/ Flame Rod for 12" EZGAS OAL = 12¼"
	98433CS	Electrode/ Flame Rod for 14" EZGAS OAL = 14¼"
	98433DS	Electrode/ Flame Rod for 16" EZGAS
	98433ES	Electrode/ Flame Rod for 18" EZGAS
21	EZGFRWIRES	EZGas Flame Rod Wire (not shown)

NOTE: EZGas Service Kit Totes – see page 74