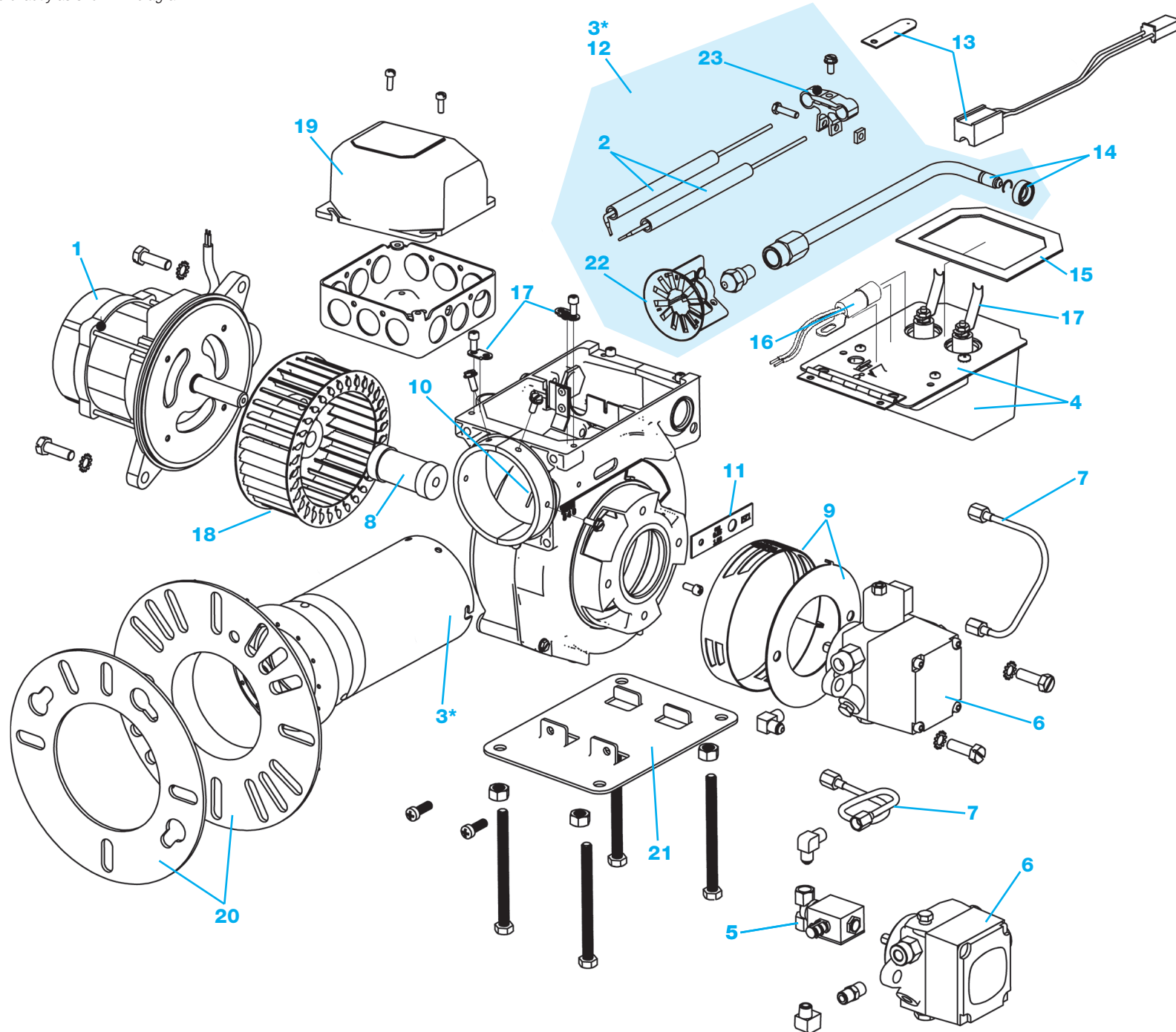


# EZ Oil Burners

Note: Parts may not be exactly as shown in diagram.

REPLACEMENT PARTS

## EZ Oil Burners



\*3 includes selected air tube and combustion head assembly

ITEM	PART NO.	DESCRIPTION	EZ1	EZ2	EZ3
1	98022S	1/6HP PSC Motor, 48 M Frame	•	•	•
2	82750S	Electrode set (2), – 4", 5-3/4" OAL	•		
	82768S	Electrode set (2), – 5", 6-3/4" OAL	•	•	•
	82776S	Electrode set (2), – 7", 8-3/4" OAL	•	•	•
	82784S	Electrode set (2), – 9", 10-3/4" OAL	•	•	•
	82792S	Electrode set (2), – 11", 12-3/4" OAL	•	•	•
3	78071S	EZ1 5" Air Tube/Combustion Head Assy	•		
	78089S	EZ1 7" Air Tube/Combustion Head Assy	•		
	78105S	EZ1 9" Air Tube/Combustion Head Assy	•		
	78113S	EZ1 11" Air Tube/Combustion Head Assy	•		
	84764S	EZ2/3 5" Air Tube/Combustion Head Assy		•	•
	84772S	EZ2/3 7" Air Tube/Combustion Head Assy		•	•
	84780S	EZ2/3 9" Air Tube/Combustion Head Assy		•	•
84798S	EZ2/3 11" Air Tube/Combustion Head Assy		•	•	
4	41000S	110V Ignitor	•	•	•
	41000SOCAS	110V Ignitor on Baseplate	•	•	•
5	SVC10FFS	Oil Valve	•	•	•
	98289S	Oil Valve Kit with fittings	•	•	•
6	22996S	Fuel Unit A2VA-7116	•	•	•
	98750S	Fuel Unit A2VA-3006 with solenoid	•	•	•
	27813B20S	Fuel Unit A2VA-7116 B20	•	•	•
	98750B20S	Fuel Unit A2VA-3006 B20 with solenoid	•	•	•
7	34397S	Oil line kit (incl. all oil lines)	•	•	•
	34470S	Oil line for Pump to Combustion Head	•	•	•
8	75564S	Fuel Unit Coupling	•	•	•
9	98055S	EZ1 Airband/Air Shutter Kit	•		
	98087S	EZ2 Airband/Air Shutter Kit		•	
	98096S	EZ3 Airband/Air Shutter Kit			•
10	98059AS	Augmentor, rivet & washer kit	•	•	•
11	81570S	Head bar kit (7 bars & screw)	•		
	84715S	Head bar kit (4 bars & screw)		•	
	86389S	Head bar kit (3 bars & screw)			•

ITEM	PART NO.	DESCRIPTION	EZ1	EZ2	EZ3
12	77941S	Combustion Head Assy 4", 6-3/4" OAL	•		
	77958S	Combustion Head Assy 5", 7-3/4" OAL	•	•	•
	77966S	Combustion Head Assy 7", 9-3/4" OAL	•	•	•
	77974S	Combustion Head Assy 9", 11-3/4" OAL	•	•	•
	77982S	Combustion Head Assy 11", 13-3/4" OAL	•	•	•
13	66795S	Nozzle Line Heater Kit	•	•	•
14	50624S	E Clip & Thumb nut kit	•	•	•
15	40167S	Ignitor Baseplate Gasket	•	•	•
16	14407S0ES	CAD Cell Kit	•	•	•
17	41DTK01S	Universal Terminal Kit	•	•	•
18	77933S	Blower wheel / fan, 5-1/16" OD x 2" W, 1/2" BORE	•	•	•
19	70200S	Universal Primary w/ Display 70200	•	•	•
	48245S	Model 48245 Primary w/ Smart Ignition	•	•	•
	4020002S	Model 40200 Primary 30/15/30	•	•	•
	5020002S	Model 50200 Primary 30/15/30	•	•	•
	6020002S	Model 60200 Primary 15/15/15	•	•	•
20	81372S	Mounting Flange & Gasket	•	•	•
	82560S	Mounting Flange & Gasket 10-Pak	•	•	•
	50821S	Gasket Only 10-Pak	•	•	•
21	23317S	Pedestal w/Hardware	•	•	•
22	77438S	Retention Ring Assy	•	•	•
23	23135S	Electrode Bracket w/screws and nut	•	•	•
24	PROTOTE	Residential Oil Replacement Parts Tote: Includes 70200S Control, CAD Cell Kit, 45000S ignitor, 82792S Electrodes, EZ1 Head Bar Kit, Oil line kit, Nozzle line heater kit, EZ and 99FRD Retention Rings, Electrode Setting Gauges and E-Ring and Thumb nut kit. (not shown)	•	•	•