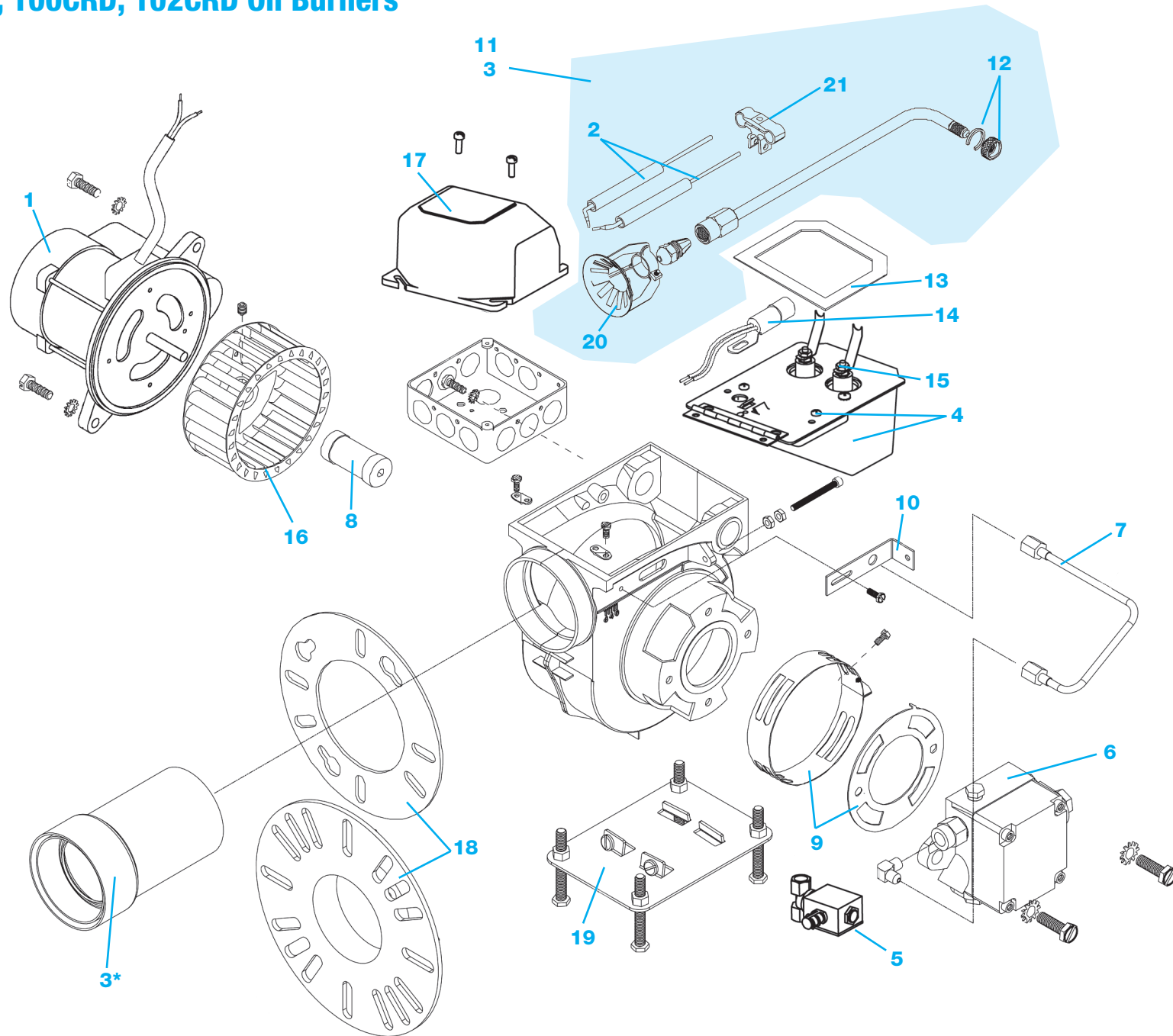


REPLACEMENT PARTS

EZ66, 99FRD, 100CRD, 102CRD Oil Burners



*3 includes selected air tube and combustion head assembly

REPLACEMENT PARTS

EZ66, 99FRD, 100CRD, 102CRD Oil Burners

ITEM	PART NO.	DESCRIPTION	EZ66	99FRD	100CRD	102CRD
1	98022S	1/6HP PSC Motor, 48 M Frame	•	•	•	•
2	82768S	Electrode set (2), – 5", 6-3/4" OAL	•	•	•	•
	82776S	Electrode set (2), – 7", 8-3/4" OAL	•	•	•	•
	82784S	Electrode set (2), – 9", 10-3/4" OAL	•	•	•	•
	82792S	Electrode set (2), – 11", 12-3/4" OAL	•	•	•	•
3	20180S	99FRD/100CRD 5" Air Tube/Combustion Head Assy	•	•		
	20230S	99FRD/100CRD 7" Air Tube/Combustion Head Assy	•	•		
	20313S	99FRD/100CRD 9" Air Tube/Combustion Head Assy	•	•		
	19919S	99FRD/100CRD 11" Air Tube/Combustion Head Assy	•	•		
	21790S	102CRD 5" B Air Tube/Combustion Head Assy				•
	21857S	102CRD 7" B Air Tube/Combustion Head Assy				•
	21881S	102CRD 9" B Air Tube/Combustion Head Assy				•
	21691S	102CRD 11" B Air Tube/Combustion Head Assy				•
	21980S	102CRD 5" C Air Tube/Combustion Head Assy				•
	21998S	102CRD 7" C Air Tube/Combustion Head Assy				•
22004S	102CRD 9" C Air Tube/Combustion Head Assy				•	
21915S	102CRD 11" C Air Tube/Combustion Head Assy				•	
4	41000S	110V Ignitor	•	•	•	•
	41000SOCAS	110V Ignitor on Baseplate	•	•	•	•
5	SVC10FFS	Oil Valve	•	•	•	•
	98289S	Oil Valve Kit with fittings	•	•	•	•
6	22996S	Fuel Unit A2VA-7116	•	•	•	
	98750S	Fuel Unit A2VA-3006	•	•	•	
	23234S	Fuel Unit A2YA-7916				•
7	34397S	Oil line kit (incl. all oil lines)	•	•	•	•
8	75564S	Fuel Unit Coupling		•	•	•
9	98100S	99FRD/100CRD Air Band Shutter Single Kit		•	•	
	98101S	99FRD/100CRD/102CRD Air Band Shutter Dual Kit		•	•	•
10	5489001S	Nozzle Line adjusting slide		•	•	•
	98115S	EZ66 Head Bar Kit	•			

ITEM	PART NO.	DESCRIPTION	EZ66	99FRD	100CRD	102CRD
11	51805S	Combustion Head Assy 5", 8-1/8" OAL	•	•	•	
	51854S	Combustion Head Assy 7", 10-1/8" OAL	•	•	•	
	51896S	Combustion Head Assy 9", 12-1/8" OAL	•	•	•	
	51599S	Combustion Head Assy 11", 14-1/8" OAL	•	•	•	
	52316S	Combustion Head Assy 5", 8-1/8" OAL				•
	52373S	Combustion Head Assy 7", 10-1/8" OAL				•
	52472S	Combustion Head Assy 9", 12-1/8" OAL				•
	52183S	Combustion Head Assy 11", 14-1/8" OAL				•
12	50624S	E Clip & Thumb nut kit	•	•	•	•
13	40167S	Ignitor Baseplate Gasket	•	•	•	•
14	14407S0ES	CAD Cell Kit	•	•	•	•
15	41DTK01S	Universal Terminal Kit	•	•	•	•
16	28605S	Blower wheel / fan 99FRD, 5-1/4" OD x 2" W, 1/2" BORE	•	•		
	28530S	Blower wheel / fan 100CRD, 4-1/4" OD x 2-5/16" W, 1/2" BORE			•	
	28506S	Blower wheel / fan 102CRD, 5-1/16" OD x 2-1/4" W, 1/2" BORE				•
17	70200S	Universal Primary w/ Display 70200	•	•	•	•
	48245S	Model 48245 Primary w/ Smart Ignition	•	•	•	•
	4020002S	Model 40200 Primary 30/15/30	•	•	•	•
	5020002S	Model 50200 Primary 30/15/30	•	•	•	•
	6020002S	Model 60200 Primary 15/15/15	•	•	•	•
18	23150S	Mounting Flange & Gasket	•	•	•	•
	40287S	Gasket only	•	•	•	•
19	23317S	Pedestal w/Hardware	•	•	•	•
20	54981S	Retention Ring Assy 99/100	•	•	•	
	55061S	Retention Ring Assy 102CRD				•
21	23135S	Electrode Bracket	•	•	•	•
22	PROTOTE	Residential Oil Replacement Parts Kit: Includes 70200S Control, CAD cell kit, 45000S Ignitor, 82792S Electrodes, EZ1 Head Bar Kit, Oil line kit, Nozzle line heater kit, EZ and 99FRD Retention Rings, Electrode setting gauges and E-Ring and Thumb nut kit. (not shown)	•	•	•	•